

**C3600n**

# User's Guide

## Copyright Information

---

Copyright © 2008 by Oki Data. All Rights Reserved

## Document Information

---

C3600n User's Guide  
P/N 59309001, Revision 1.0  
April, 2008

## Disclaimer

---

Every effort has been made to ensure that the information in this document is complete, accurate, and up-to-date. The manufacturer assumes no responsibility for the results of errors beyond its control. The manufacturer also cannot guarantee that changes in software and equipment made by other manufacturers and referred to in this guide will not affect the applicability of the information in it. Mention of software products manufactured by other companies does not necessarily constitute endorsement by the manufacturer .

While all reasonable efforts have been made to make this document as accurate and helpful as possible, we make no warranty of any kind, expressed or implied, as to the accuracy or completeness of the information contained herein.

The most up-to-date drivers and manuals are available from the web site:

<http://www.okiprintingsolutions.com>

## Trademark Information

---

Oki and Microline are registered trademarks of Oki Electric Industry Company Ltd. Apple, Macintosh and Mac OS are registered trademarks of Apple Computers Inc. Hewlett-Packard, HP, and LaserJet are registered trademarks of Hewlett-Packard Company.

Microsoft, MS-DOS and Windows are either registered trademarks or trademarks of Microsoft Corporation in the United States and/or other countries.

Other product names and brand names are registered trademarks or trademarks of their proprietors.

# Contents

---

<b>Copyright Information</b> . . . . .	<b>2</b>
Document Information . . . . .	2
Disclaimer . . . . .	2
Trademark Information . . . . .	2
Regulatory Information . . . . .	2
<b>Notes, Cautions and Warnings</b> . . . . .	<b>5</b>
<b>Introduction</b> . . . . .	<b>6</b>
Printer overview . . . . .	7
The Operation Panel . . . . .	10
<b>Paper recommendations</b> . . . . .	<b>14</b>
Cassette Tray . . . . .	15
Multi Purpose Tray . . . . .	16
Face Down Stacker . . . . .	18
Face Up Stacker . . . . .	18
<b>Loading Paper</b> . . . . .	<b>19</b>
Cassette Tray . . . . .	19
Multi Purpose Tray . . . . .	22
<b>Printing from Windows</b> . . . . .	<b>23</b>
Printer driver settings . . . . .	23
Printing preferences in Windows applications . . . . .	24
Setting from Windows Control Panel . . . . .	28
<b>Printing From Mac</b> . . . . .	<b>31</b>
Mac OS 9 . . . . .	31
Mac OS X . . . . .	36
<b>Printing</b> . . . . .	<b>42</b>
Test printing . . . . .	42
2-sided printing (Windows only) . . . . .	42
Printing on different media . . . . .	46
Setting other printing options . . . . .	47
Cancelling a print job . . . . .	47
<b>Color Printing</b> . . . . .	<b>48</b>
Factors that affect the appearance of prints . . . . .	48
Tips for printing in color . . . . .	50
Accessing the color matching options . . . . .	51
Setting the color matching options . . . . .	52
Using the Color Swatch feature . . . . .	53
Using the Color Correct Utility . . . . .	54
<b>Using the printer software</b> . . . . .	<b>55</b>
Status Monitor (Windows only) . . . . .	55
Printer functions (User Settings) . . . . .	56
Printer Menu utility (Mac only) . . . . .	57

<b>Printer menus</b> .....	<b>58</b>
Information menu .....	58
Shut down menu .....	59
Print menu .....	59
Media menu .....	61
Color menu .....	63
System configuration menu .....	65
PCL Emulation menu .....	67
PPR Emulation menu .....	69
FX Emulation menu .....	71
USB menu .....	72
Network menu .....	72
Maintenance menu .....	74
Usage menu .....	76
Print Statistics menu .....	77
Printing settings .....	78
Changing the Status Monitor Display Language .....	78
<b>Replacing Consumables and Maintenance Items</b> .....	<b>79</b>
Part Numbers .....	79
<b>Toner cartridge replacement</b> .....	<b>80</b>
<b>Image drum replacement</b> .....	<b>86</b>
<b>Replacing the belt unit</b> .....	<b>89</b>
<b>Fuser replacement</b> .....	<b>93</b>
<b>Cleaning the LED head</b> .....	<b>95</b>
<b>Installing additional memory</b> .....	<b>96</b>
Part Numbers .....	96
Memory upgrade .....	96
<b>Troubleshooting</b> .....	<b>101</b>
Clearing paper jams .....	101
<b>Error Messages</b> .....	<b>109</b>
<b>Specifications</b> .....	<b>112</b>
<b>Utilities</b> .....	<b>114</b>
Overview .....	114
Accessing .....	114
Description of Utilities .....	115
Installing the Utilities .....	117
Color Correction Utility .....	118
Color Swatch Utility .....	131
Direct Network Printing Utility (LPR) .....	135
Network Printer Status Utility .....	137
Network Setup Utility .....	141
<b>Index</b> .....	<b>142</b>

# Notes, Cautions and Warnings

---

---

## NOTE

*A note provides additional information to supplement the main text which may help you to use and understand the product.*

---

## **CAUTION!**

**A caution provides additional information which, if ignored, may result in equipment malfunction or damage.**

## **WARNING!**

**A warning provides additional information which, if ignored, may result in a risk of personal injury.**

# Introduction

---

Congratulations on buying this Oki color printer. Your new printer is designed with advanced features to give you clear, vibrant color prints and crisp black and white pages at high speed on a range of office print media.

Your printer includes these features:

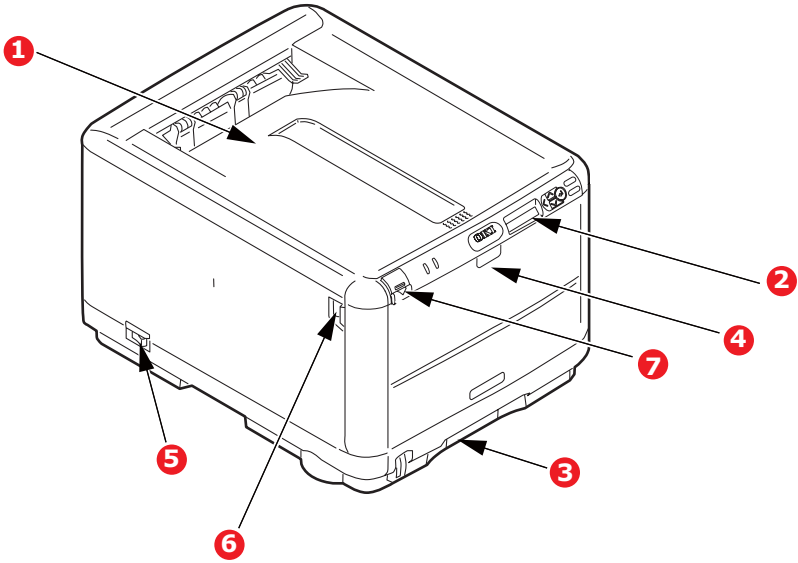
- > Multi-level technology produces subtle tones and smooth gradations of color to lend photographic quality to your documents.
- > Prints up to 16 ppm (pages per minute) in full color for fast printing of high impact color presentations and other documents.
- > Prints up to 20 ppm (pages per minute) in black and white for fast and efficient printing of all general purpose documents not requiring color.
- > 600 x 600 dpi (dots per inch), 1200 x 600 dpi and 600 x 600 dpi x 2-bit print resolution for high quality image production showing the finest detail.
- > Single Pass Color Digital LED technology for high speed processing of your printed pages.
- > 10Base-T and 100Base-TX network connection lets you share this valuable resource among users on your office network.
- > High speed USB 2.0 interface
- > Postscript 3, PCL 5C, PCL 6 and Epson FX emulations for industry standard operation and wide compatibility with most computer software
- > Photo Enhance mode to improve printouts of photographic images (Windows PCL driver only)

Additionally, the following optional feature is available:

- > Additional memory, to allow printing of more complex pages.

# Printer overview

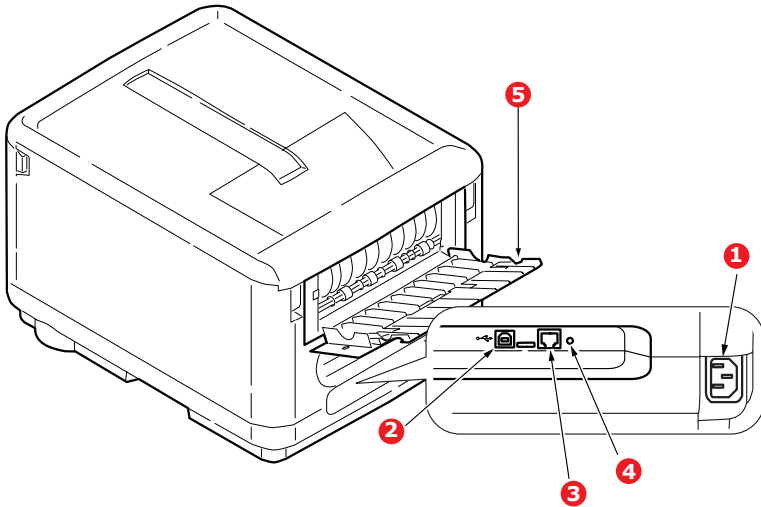
## Front view



<p><b>1.</b> Printer cover and Output stacker, face down. Standard printed copy delivery point. Holds up to 150 sheets at 20 lb. (80 g/m<sup>2</sup>).</p> <p><b>2.</b> Operation Panel. Status LEDs and operator buttons.</p> <p><b>3.</b> Cassette Tray. Standard blank paper tray. Holds up to 250 sheets of 20 lb. (80 g/m<sup>2</sup>) paper.</p>	<p><b>4.</b> Multi Purpose Feeder Tray Release (when closed, press to open). Multi Purpose Tray: Used for manual duplex, feeding heavier paper stocks, envelopes and other special media. Also for manual feeding of single sheets when required.</p> <p><b>5.</b> ON/OFF switch.</p> <p><b>6.</b> Front Cover Open Release (press to open).</p> <p><b>7.</b> Printer Cover Open Release (push to open).</p>
--	--

## Rear view

This view shows the connection panel and the rear output stacker.



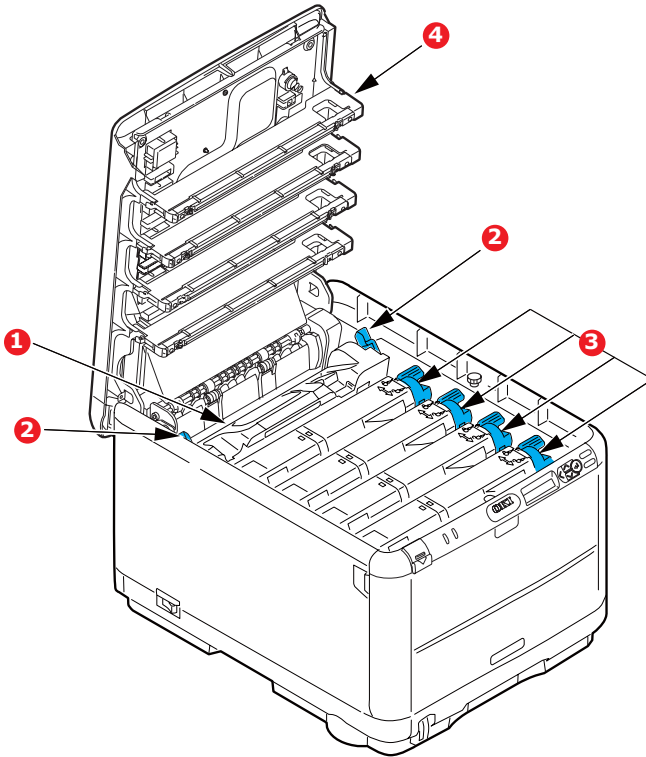
<ul style="list-style-type: none"><li><b>1.</b> AC Power Socket.</li><li><b>2.</b> USB interface USB cable must be of length 2 m maximum for reliable Status Monitor operation.</li><li><b>3.</b> LAN Port</li></ul>	<ul style="list-style-type: none"><li><b>4.</b> Network Test Button</li><li><b>5.</b> Rear Stacker, face up. Can hold up to 10 sheets of 20 lb. (80 g/m<sup>2</sup>) standard paper and can handle paper stocks of up to 54 lb. (203 g/m<sup>2</sup>).</li></ul>
--	--

When the rear paper stacker is folded down, paper exits through the rear of the printer and is stacked face up. The rear stacker is mainly used for heavy print media. When used in conjunction with the Multi Purpose Tray, the paper path through the printer is essentially straight. This avoids bending the paper around curves in the paper path inside the printer and enables feeding of up to 54 lb. (203 g/m<sup>2</sup>) media.



## Inside your printer

Press the Cover Open Release to open the printer cover and look inside the printer.



**1.** Fuser unit.

The Fuser unit contains a heated roller that fixes toner to the print media (paper or card).

**2.** Fuser lever.

The lever has a locked position for when the toner cartridge is in place and an unlocked position for removal and changing.

**3.** Toner cartridges and toner cartridge levers.

The 4 toner cartridges hold dry powdered ink. The lever locks the toner cartridge into place on the image drum or releases it for changing.

Image drum units (under toner cartridges).

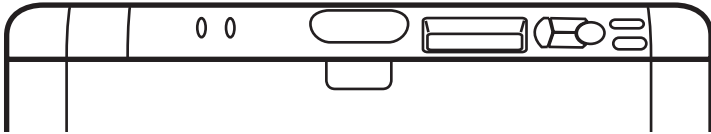
The toner from the toner cartridges adheres to the outer plate of the image drum. The image drum then transfers the toner to the print media as it passes through the printer.

**4.** LED Heads.

4 LED (Light Emitting Diode) Heads direct light onto the 4 image drums.

## The Operation Panel

The Operation Panel allows operator intervention and indicates both when the printer is operating normally and when it requires attention. Detailed printer status is provided by the Status Monitor in Windows or Printer Driver in Mac. (See ["Using the Status Monitor"](#) on page 55.)



The Operation Panel incorporates 2 LEDs, a two-line LCD, and 6 push-buttons as follows (from left to right):

1. **ATTENTION** LED (amber)
2. **ON LINE** LED (green)
3. **LCD**
4. Menu **Back** button
5. Menu **Up** button
6. Menu **Down** button
7. Menu **Enter** button
8. **ON LINE** button
9. **CANCEL** button

The buttons are used to operate the printer; the LEDs and LCD display the status of the printer.

## Buttons

### Operation

There are four Menu buttons on the operation panel (Back, Up, Down, and Enter) and two buttons labeled ON LINE and CANCEL. They operate as follows:

BUTTON	FUNCTION
<b>Back</b>	Press to return to the previous higher level menu item. Also exits the menu system (press it until CMYK is displayed).
<b>Menu Up and Down</b>	Press either to enter Menu mode. In Menu mode use the Up and Down arrow keys to move forwards and backwards through the lists of menus and menu items. Hold down for at least 2 seconds to fast forward or reverse.
<b>Enter</b>	Press to enter Menu mode. In Menu mode: press to select the option displayed on the LCD.
<b>On Line</b>	Press to switch between Online and Offline modes. In Menu mode: exits the menus and puts the printer ONLINE. When WRONG PAPER or WRONG PAPER SIZE is displayed on the LCD, press the switch to force printing on the paper currently loaded.
<b>Cancel</b>	Deletes the data being printed or received when pressed for at least two seconds. Deletes the data when pressed for at least two seconds when one of the following error messages is displayed: WRONG PAPER SIZE, RUN OUT OF PAPER, TRAY 1 IS OPEN, or TRAY 1 IS NOT FOUND. In Menu mode: press to exit the menu and put the printer ONLINE.

## LCD Display

The 2-line, 16-character LCD display shows the printer status, menus, and any error messages.

When the printer is in a "ready" state, toner gauges are displayed on the LCD. The top line identifies the toner colors: **C M Y K**; the bottom line shows four "level" gauges. The level gauges represent how much toner remains for each of the colors. The toner gauges are not displayed when the printer is printing or in an error mode.

Remaining toner levels are as follows:

100-60%: ■

50-40%: ■

30-10%: ■

"Toner Low" indication: —

## Changing the LCD Display Language

The Operator Panel Language Setup utility changes the language on the printer's LCD display panel. The utility is on the CD-ROM that comes with your printer. For more information about the utilities, see "Overview" on page 114.

Follow the steps in the setup utility to select the 3600n printer and the desired language. To complete the language setup, restart your printer (i.e., turn it off and then on).

# LED Displays

## General

Printer status (as indicated by the LEDs) can be broadly categorized as follows:

1. Normal status (Green): the printer is operating normally e.g. it is ON LINE or processing.
2. Warning status (Amber): you can continue to use the printer without intervention but an error may result.
3. Error status (Amber, blinking): you cannot continue to use the printer. Intervention is required to recover from the error. Fatal errors are irrecoverable and require a service call.

## Function

A summary of the functions of each LED is given below:

LED	COLOR	FUNCTION
<b>ATTENTION</b>	Amber	ON: Attention state (e.g., tray open or paper out) BLINKING: Warning state (e.g., cover open) OFF: Normal condition
<b>ON LINE</b>	Green	ON: Ready to receive data BLINKING: Processing data OFF: Offline

The Status Monitor in Windows provides a readable description of the printer status corresponding to the error indications on the LCD. In Mac, the printer driver provides status information once you have sent a document to print. In Windows, if you have the Status Monitor Preferences set to **Pop up on alerts**, this readable message will be presented on screen whenever an abnormal condition occurs. See ["Using the printer software" on page 55](#) for more information.

## Service call error

When a service call error occurs, both LEDs blink rapidly and simultaneously and an error number is displayed on the LCD.

# Paper recommendations

---

Your printer will handle a variety of print media, including a range of paper weights and sizes, including envelopes. This section provides general advice on choice of media, and explains how to use each type.

The best performance will be obtained when using standard 20–24 lb. (75–90 g/m<sup>2</sup>) paper designed for use in copiers and laser printers. Suitable types are:

- Hammermill® Laser Printer Radiant White, 24 lb. US Bond (90 g/m<sup>2</sup>)
- Xerox® 4024, 20 lb. US Bond (75 g/m<sup>2</sup>)
- Oki® 52206101 Bright White Proofing Paper, 32 lb. US Bond (120 g/m<sup>2</sup>)

Use of heavily embossed or very rough textured paper is not recommended.

**Pre-printed stationery** can be used, but the ink must not offset when exposed to the high fuser temperatures used in the printing process.

**Envelopes** should be free from twist, curl or other deformations. They should also be of the rectangular flap type, with glue that remains intact when subjected to hot roll pressure fusing used in this type of printer. Window envelopes are not suitable.

**Labels** should also be of the type recommended for use in copiers and laser printers, in which the base carrier page is entirely covered by labels. Other types of label stock may damage the printer due to the labels peeling off during the printing process. Suitable types are:

- Avery 5161 White Laser Label (Letter size)
- Avery 7162, 7664, 7666 White Laser Labels (size A4).

## Cassette Tray

The Cassette Tray can handle paper in weights of 17 to 47 lb. (64 g/m<sup>2</sup> to 176 g/m<sup>2</sup>). The Cassette Tray is ideal for printing Letter size documents of more than 1 page in length.

TRAY	WEIGHT	SIZE	DIMENSIONS
Cassette Tray	Light: 17-20 lb. 64-74 g/m <sup>2</sup>	A6	4.13 x 5.83 in. 105 x 148 mm
		A5	5.83 x 8.27 in. 148 x 210 mm
	Medium: 20-24 lb. 75-90 g/m <sup>2</sup>	B5	7.17 x 10.12 in. 182 x 257 mm
		Executive	7.25 x 10.5 in. 184.2 x 266.7 mm
	Heavy: 24-47 lb. 91-176 g/m <sup>2</sup>	A4	8.27 x 11.69 in. 210 x 297 mm
		Letter	8.5 x 11 in. 215.9 x 279.4 mm
		Legal 13 in.	8.5 x 13 in. 216 x 330 mm
		Legal 13.5 in.	8.5 x 13.5 in. 216 x 343 mm
		Legal 14 in.	8.5 x 14 in. 216 x 356 mm

## Multi Purpose Tray

The Multi Purpose Tray can handle the same sizes as the Cassette Tray but in weights up to 54 lb. (203 g/m<sup>2</sup>). For very heavy paper stock, always use the face up (rear) paper stacker. This ensures that the paper path through the printer is almost straight.

The Multi Purpose Tray can feed paper widths as small as 3.94 in (100 mm) and lengths up to 47.24 in. (1200 mm) [banner printing].

For paper lengths exceeding Legal 14 in. (356 mm) use paper stock between 24 and 34 lb. (90 g/m<sup>2</sup> and 128 g/m<sup>2</sup>) and the face up (rear) paper stacker.

When using the Multi Purpose Tray, each sheet of paper can only be fed one at a time.

Watermarked or Headed paper should be loaded print side up and top edge into the printer.



TRAY	WEIGHT	SIZE	DIMENSIONS
Multi Purpose Tray	Light: 17-20 lb. 64-74 g/m <sup>2</sup> Medium: 20-24 lb. 75-90 g/m <sup>2</sup> Heavy: 24-32 lb. 91-120 g/m <sup>2</sup> Ultra heavy: 32-54 lb. 121-203 g/m <sup>2</sup>	A6	4.13 x 5.83 in. 105 x 148 mm
		A5	5.83 x 8.27 in. 148 x 210 mm
		B5	7.17 x 10.12 in. 182 x 257 mm
		Executive	7.25 x 10.5 in. 184.2 x 266.7 mm
		A4	8.27 x 11.69 in. 210 x 297 mm
		Letter	8.5 x 11 in. 215.9 x 279.4 mm
		Legal 13 in.	8.5 x 13 in. 216 x 330 mm
		Legal 13.5 in.	8.5 x 13.5 in. 216 x 343 mm
		Legal 14 in.	8.5 x 14 in. 216 x 356 mm
		Custom sizes	8.5 x 47.24 in. 216 x 1199.9 mm
		Letterhead	8.5 x 10.98 in. 216 x 279 mm
		COM-9 Envelope	3.87 x 8.87 in. 98.4 x 225.4 mm
		COM-10 Envelope	4.12 x 9.5 in. 104.7 x 241.3 mm
		Monarch Envelope	3.87 x 7.5 in. 98.4 x 190.5 mm
		C5	6.38 x 9.02 in. 162 x 229 mm
		DL	4.3 x 8.6 in. 110 x 220 mm
		Banner	8.27 x 48 in. 210 x 1220 mm (maximum)

## **Face Down Stacker**

The Face Down Stacker on the top of the printer can hold up to 150 sheets of 20 lb. (80 g/m<sup>2</sup>) standard paper, and can handle paper stocks up to 32 lb. (120 g/m<sup>2</sup>). Pages printed in reading order (page 1 first) will be sorted in reading order (last page on top, facing down).

## **Face Up Stacker**

The Face Up Stacker at the rear of the printer should be opened and the paper support extended when required for use. In this condition paper will exit via this path, regardless of driver settings.

The Face Up Stacker can hold up to 1 sheet of 20 lb. (80 g/m<sup>2</sup>) standard paper and can handle stocks up to 54 lb. (203 g/m<sup>2</sup>).

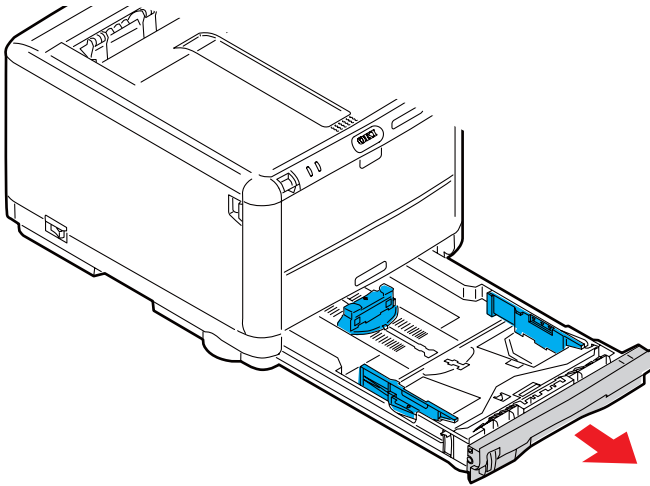
Always use the Face Up Stacker and the Multi Purpose Tray for paper stocks heavier than 47 lb. (176 g/m<sup>2</sup>).

# Loading Paper

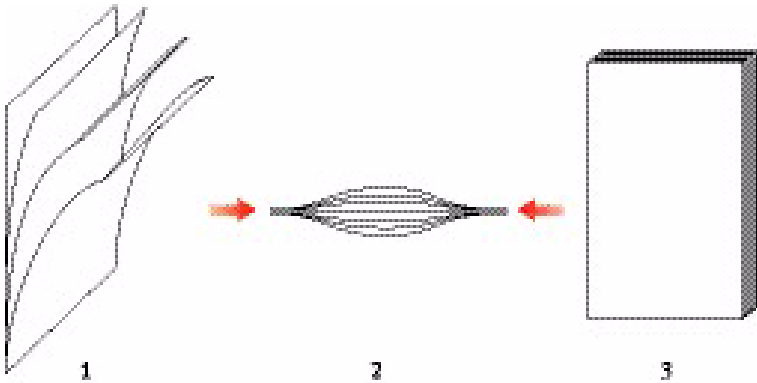
---

## Cassette Tray

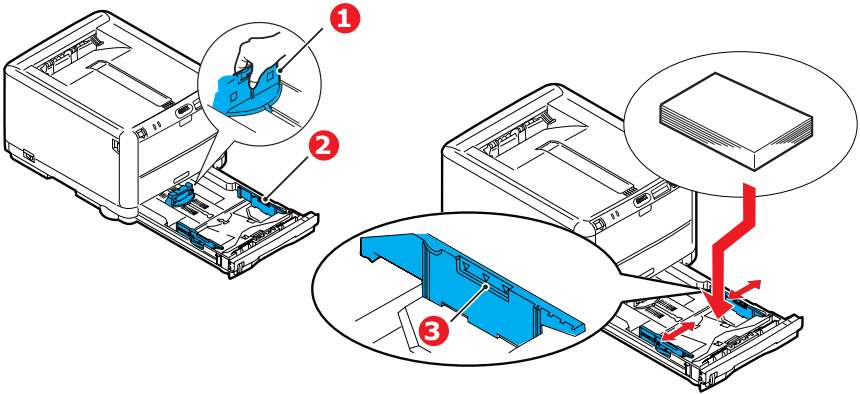
1. Remove the Cassette Tray from the printer.



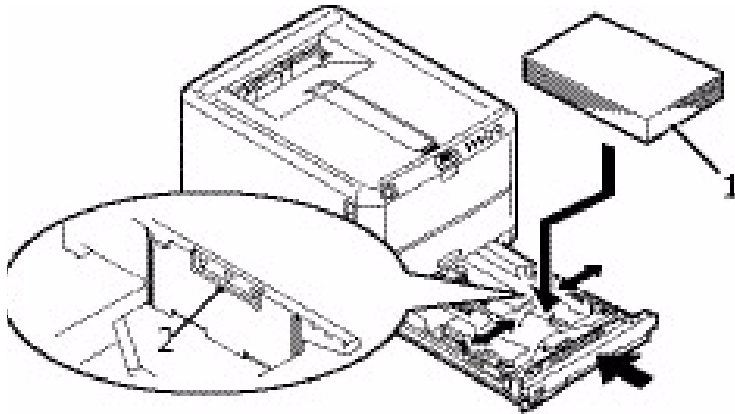
2. Fan the paper to be loaded at the edges (1) and in the middle (2) to ensure that all sheets are properly separated, then tap the edges of the stack on a flat surface to make it flush again.(3).



- 3.** Adjust the Rear Stopper (1) and Paper Guides (2) to the size of paper being used. Use the markings on the printer as a guide (3).



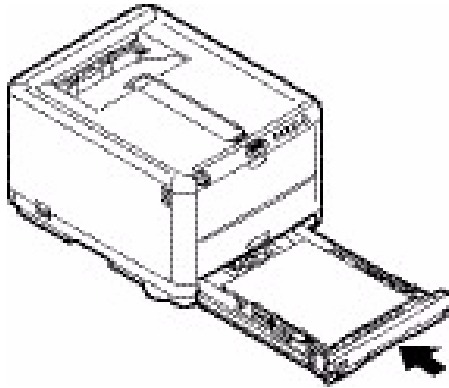
- 4.** Load the paper (1). Use the level indicators (2) as a guide. For letter headed paper, load face down with top edge towards the front of the printer.



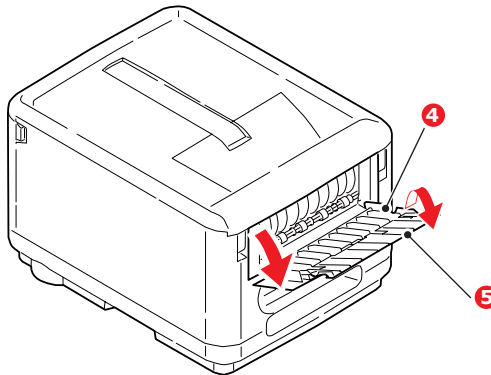
To prevent paper jams:

- Do not leave space between the paper and the guides and rear stopper.
- Do not overfill the Cassette Tray. Capacity depends on the type of paper stock.
- Do not load damaged paper.
- Do not load paper of different sizes or types at the same time.
- Do not pull the Cassette Tray out during printing.

5. Close the Cassette Tray gently.



- For face down printing, make sure the Face Up (rear) (4) Stacker is closed (the paper exits from the top of the printer). Stacking capacity is approximately 250 sheets, depending on paper weight.
- For face up printing, make sure the Face Up (rear) (4) Stacker is open and the paper support (5) is extended. Paper is stacked in reverse order and tray capacity is approximately 10 Letter/A4 sheets, depending on paper weight, or 1 envelope or 1 sheet of heavier media.
- Always use the Face Up (rear) Stacker for heavy paper (card stock etc.).

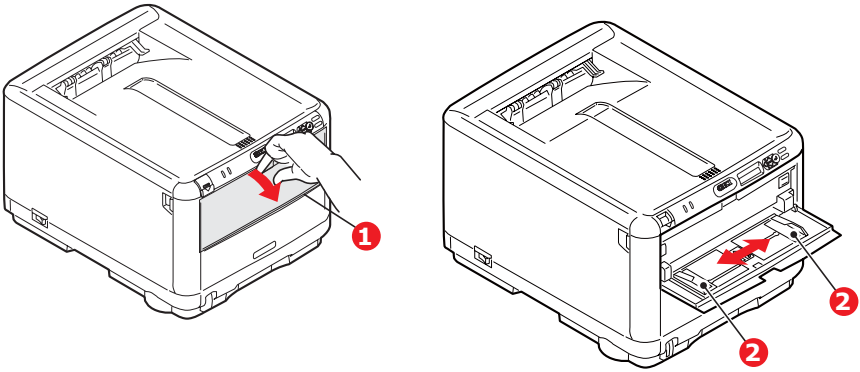


**CAUTION!**

**Do not open or close the rear paper exit while printing as it may result in a paper jam.**

## Multi Purpose Tray

1. Open the Multi Purpose Tray and press gently down on the Paper Platform (1).



2. Adjust the Paper Guides (2) to the size of paper you are going to print on, using the markings on the Paper Platform.
3. Position a sheet of paper on the Paper Platform so that it is gripped in place.
  - Load your chosen media one sheet at a time.
  - When printing on headed paper load the paper into the Multi Purpose Tray with pre-printed side up and top edge into the printer.
  - An envelope should be loaded face up with top edge to the left and short edge facing into the printer.

Set the correct paper size for the Multi Purpose Tray in the Media Menu. (See ["Printer functions \(User Settings\)"](#) on page 56.)

# Printing from Windows

---

Your printer's menus provide access to many options. See ["Using the printer software" on page 55](#) for more information.

The Windows printer driver also contains settings for many of these items. Where items in the printer driver are the same as those in the menus, and you print documents from Windows, the settings in the Windows printer driver will override those items in the menus.

The illustrations in this chapter show the printer in Windows XP/2000. Other Windows versions may appear slightly different, but the principles are the same.

## Printer driver settings

A printer driver is a software program that controls a printer. The printer driver feeds data about printing requirements for a document to the printer.

You can make printer driver settings either from Windows **Printers** window (called "Printers and Faxes" in Windows XP) or from within a Windows application. The driver settings you make from the Windows "Printing Preferences" dialog box are essentially default settings and will be remembered from one Windows session to the next. The driver settings you make from within a Windows application, e.g. in the File -> Print dialog box in Microsoft Word, are those required for a particular job and will not be remembered the next time you open this application. In both cases, you can save and name (on the Setup tab) specific sets of driver settings which can be recalled for future use.

## Printing preferences in Windows applications

When you choose to print your document from a Windows application program a Print dialog box appears. This dialog usually specifies the name of the printer on which you will print your document. Next to the printer name is a **Properties** button.

When you click **Properties** a new window opens which contains a short list of the printer settings available in the driver, which you can choose for this document. The settings available from within your application are only those which you may want to change for specific applications or documents. Settings you change here will usually only last for as long as the particular application program is running.

### Setup tab

When you click the **Properties** button from your application's Print dialog, the driver window opens to allow you to specify your printing preferences for the current document.

#### 1. Size

Paper size should be the same as the page size of your document (unless you wish to scale the printout to fit another size), and should also be the same as the size of paper you will feed into the printer.

#### 2. Source

You can choose the source of the paper to feed, which may be Tray 1 (the Cassette Tray) or the Multi Purpose Tray. You can either select the tray from the dropdown list or you can click on the appropriate part of the printer graphic to select your preferred tray.

#### 3. Weight

The setting for paper weight should match the type of paper on which you intend to print.

#### 4. Paper Feed Options

Click on the **Paper Feed Options** button to modify your document to fit to paper of a different size and to access advanced Cassette Tray and Multi Purpose tray settings.



## 5. Finishing Mode

A variety of document finishing options can be selected, such as normal one page per sheet, or N-up (where N can be a maximum of 16) for printing scaled down pages at more than one page per sheet.

Select the Poster printing option to print large pages as tiles spread over multiple sheets.

## 6. 2-Sided Printing

You can choose to print on one side of a sheet only or to use 2-sided printing (duplex printing). Your printer allows you to carry out manual duplex printing, meaning you must pass the paper through the printer twice. For more information, see ["2-sided printing \(Windows only\)" on page 42](#). The **Duplex Help** button also offers guidelines on how to carry out manual duplex printing.

## 7. Driver Settings

If you have changed some printing preferences before and saved them as a set under a specific name, you can recall them under driver settings. Saving driver settings means that you can avoid having to set printing preferences individually each time you need them.

## 8. Default

Click the **Default** button to restore the default printer settings.

## Job Options tab

### 1. Print Resolution

The output resolution of the printed page can be set as follows.

- The High Quality setting prints at 600 x 600dpi multi-level. This setting requires the most printer memory and takes the longest to print. It is the best option for printing photographs and reproducing color details.
- The Fine/Detail setting prints at 1200 x 600dpi is the best option for printing vector objects such as graphics and text.
- The Normal setting prints at 600 x 600dpi and is suitable for most printing jobs.

- 2.** Photo Enhance  
Select this option to improve the quality of photographic images.
- 3.** Toner Saving  
Select to help save your toner.
- 4.** Skip Blank Pages  
Select this option to avoid printing out any blank pages that are in your document.
- 5.** Copies  
You can select up to 999 copies to print consecutively, although you will need to top up the Cassette Tray during such a long print run.
- 6.** Orientation  
Page orientation can be set to either portrait (tall) or landscape (wide).
- 7.** Scale  
Your printed pages can be scaled to fit larger or smaller stationery.
- 8.** Watermark  
You can print watermark text behind the main page image. This is useful for marking documents as draft, confidential, etc.
- 9.** Advanced  
Clicking the **Advanced** button gives you access to further settings. For example, you can elect to have black areas printed using 100%K toner (a more matte appearance).
- 10.** Default  
Click the **Default** button to restore the default printer settings.

## Color tab

### 1. Color Matching: Auto or Manual

Control over the color output of your printer may be performed automatically, or for advanced control, by manual adjustment. The automatic setting will be appropriate in most cases. The other options in this window only become visible when you select a choice other than Auto. For grayscale printing, the printer runs at the fastest print speed (approx. 20 ppm) and all pages are printed in black and white.

### 2. Color Mode

You can choose from a range of color matching options, depending on the image source for your document. For example, a photograph taken on a digital camera might require different color matching from a business graphic created in a spreadsheet application. Again, for most general purpose use, Auto is the best choice.

### 3. Brightness and Saturation

Printed output may be made lighter or darker, or the colors made more saturated and vibrant as required.

### 4. Black Finish

Black areas may be printed using 100% cyan, magenta and yellow, giving a more glossy appearance (composite black), or using only black toner (true black), giving a more matte appearance. Choosing the Auto setting allows the driver to make the most appropriate choice based on image content.

### 5. Default

Click the **Default** button to restore the default printer settings.

## Setting from Windows Control Panel

When you open the driver properties window directly from Windows, rather than from within an application program, a somewhat more extensive range of settings is provided. Changes made here will generally affect all documents you print from Windows applications, and will be remembered from one Windows session to the next.

### General tab

**1.** Features

This area lists some of the main features of your printer.

**2.** Printing Preferences

This button opens the same windows for items which can be set from within application programs, as described earlier in "Printing preferences in Windows applications" on page 24. Changes you make here, however, will become the new default settings for all Windows applications.

**3.** Print Test Page

This button prints a test page to check that your printer is working.

### Advanced tab

**1.** Available From

You can specify which times of day your printer will be available.

**2.** Priority

Indicates current priority, from 1 (lowest) to 99 (highest). Highest priority documents will print first.

**3.** Spool print documents so program finishes printing faster

Specifies that documents should be spooled (stored in a special print file) before being printed. The document is then printed in the background, allowing your application program to become available more quickly.

- 4.** Start printing after last page is spooled  

This specifies that printing should not start until the last page has been spooled. If your application program needs a lot of time for further computation in the middle of printing, causing the print job to pause for more than a short period, the printer could prematurely assume that the document has finished. Selecting this option would prevent that situation, but printing will be completed a little later, as the start is delayed.
- 5.** Start printing immediately  

This is the opposite choice to the one above. Printing starts as soon as possible after the document begins spooling.
- 6.** Print directly to the printer  

This specifies that the document should not be spooled, but printed directly. Your application will not normally be ready for further use until the print job is complete. This requires less disk space on your computer, since there is no spool file.
- 7.** Hold mismatched documents  

Directs the spooler to check the document setup and match it to the printer setup before sending the document to print. If a mismatch is detected, the document is held in the print queue and does not print until the printer setup is changed and the document restarted from the print queue. Mismatched documents in the queue will not prevent correctly matched documents from printing.
- 8.** Print spooled documents first  

Specifies that the spooler should favor documents which have completed spooling when deciding which document to print next, even if completed documents are lower priority than documents which are still spooling. If no documents have completed spooling, the spooler will favor larger spooling documents over shorter ones. Use this option if you want to maximise printer efficiency. When this option is disabled the spooler chooses documents based only on their priority settings.
- 9.** Keep printed documents  

Specifies that the spooler should not delete documents after they are completed. This allows documents to be re-

submitted to the printer from the spooler instead of printing again from the application program. If you use this option frequently it will require large amounts of disk space on your computer.

**10.** Enable advanced printing features

Specifies whether advanced features, such as page order and pages per sheet, are available, depending on your printer. For normal printing keep this option enabled. If compatibility problems occur you can disable the feature. However, these advanced options may then not be available, even though the hardware might support them.

**11.** Printing Defaults

This button provides access to the same setup windows as when printing from applications. Changes made via the Windows Control Panel become the Windows default settings.

**12.** Separator Page

You can design and specify a separator page that prints between documents. This is particularly useful on a shared printer to help each user find their own documents in the output stack.

## Mac OS 9

### Choosing Printing Options

Use the print dialog to choose your printer and select options for how you want your document to print.

1. Open the document you want to print.
2. If you wish to change the paper size or page orientation, choose File > Page Setup.
3. Select File > Print.
4. Select your printer from the Printer pop-up menu.
5. If you wish to change any printer driver settings, select the necessary options in the print dialog. You can select more options from the Copies & Pages menu. "Changing the default print settings" on page 31 describes how to set printer driver options.
6. Click Print

### Changing the default print settings

If you print a document and change the printer driver settings, these changes are only remembered for that particular document. To change the printer driver settings for all future print jobs:

1. Select Apple menu > Chooser.
2. Select your printer driver in the left-hand panel of the Chooser window.
3. Select your printer model in the right-hand panel of Chooser.
4. Click **Print Preferences**.
5. Change Page Setup Preferences or Print Preferences as required. These new settings will be saved as the printer driver defaults.

### Page Setup Options - General

#### Paper

Choose the paper size that matches your document and the paper loaded in the printer. The paper margin is 1/6 inch (4.2 mm) at all edges.

## **Orientation**

Selects either portrait (tall) or landscape (wide).

If using landscape, you can flip the orientation 180 degrees.

## **Reduce or Enlarge**

Documents can be scaled up or down to fit on different paper sizes.

## **Page Setup Options - Layout**

Multiple pages can be shrunk and printed on a single sheet of paper. For example, choosing 4-up will tile four of your document's pages across a single sheet of paper.

You can control the order in which the documents are tiled and also choose to surround each document page with a border.

## **Page Setup Options - Custom Paper Size**

You can create and edit custom paper sizes. These appear in the paper size menu and can be selected just like any other paper size.

## **Print Options - General**

### **Copies**

Enter the number of copies to print.

If Collate is selected, all the pages of the document print before the next copy prints.

### **Pages**

Choose whether to print all the pages of your document or just a section of it.

### **Paper Source**

Selects which paper tray to use for your print job.

### **Quality**

Selects the print resolution.

The High Quality setting produces the best graphic images but it can take longer to print.

### **Photo Enhance**

Use Photo Enhance to significantly improve quality when printing images. The printer driver analyses any photographic images and processes them to improve the overall appearance. This setting



cannot be used together with the High Quality print quality setting.

### **Toner Saving**

Toner saving uses less toner when printing your document. This is best suited to draft text documents as it lightens the print significantly.

## **Print Options - Print Control**

If you are using the Windows Print Control Server software to manage printers, enter your assigned user name and ID. This information is sent along with your print job and is recorded by the printer.

## **Print Options - Color**

### **Color mode**

<b>COLOR MODE</b>	<b>DESCRIPTION</b>
Auto Color	The driver selects the most appropriate color settings.
Advanced Color	Allows you to manually adjust color and black and white settings or select.
Grayscale	Convert all colors to shades of grey.

### **Color matching**

<b>COLOR</b>	<b>DESCRIPTION</b>
Monitor (6500K) Perceptual	Optimized for printing photos. Colors are printed with emphasis on saturation.
Monitor (6500K) Vivid	Optimized for printing photos, but with even more saturated colors.
Monitor (9300K)	Optimized for printing graphics from applications such as Microsoft Office. Colors are printed with emphasis on Lightness.
Digital Camera	Results will vary depending on the subject and conditions the image was taken.

COLOR	DESCRIPTION
sRGB	The printer reproduces the sRGB color space. This might be useful if color matching from an sRGB input device such as a scanner or digital camera.

### **Black Finish**

Controls the way black is printed in color documents.

Composite Black (CMYK): Uses all 4 toner colors to represent black. Recommended for color photos.

True Black (K): Uses 100% black toner to represent black. Recommended for text and business graphics.

### **Brightness / Saturation**

Increase Brightness for a lighter print. Modify saturation to change the strength (or purity) of color.

If the printed colors are too strong, reduce saturation and increase brightness. As a general rule, the saturation should be stepped down an equal amount to the increased brightness. For example, if you reduce saturation by 10, increase brightness by 10 to compensate.

## **Print Options - Layout**

Multiple pages can be shrunk and printed on a single sheet of paper. For example, choosing 4-up will tile four of your document's pages across a single sheet of paper.

You can control the order in which the documents are tiled and also choose to surround each document page with a border.

## **Print Options - Options**

### **Media Weight**

Select the thickness/type of paper in the printer.

It's important to set this correctly as it affects the temperature at which the toner is fused to the paper. For example, if you are printing on regular paper, don't select Labels as this may cause toner smearing and paper jams.

### **Paper Size Check**

Select Paper Size check if you want the printer to warn you when the document paper size is different from the paper in the printer.

A warning message is displayed and printing continues when you load the correct paper and press ONLINE.

When this option is switched off, the printer uses the paper loaded in the selected tray regardless of the document size.

### **Feed Manually from Multi Purpose Tray**

Select this if you want the printer to wait until you press the **ONLINE** button when feeding from the Multi Purpose Tray.

This can be useful if printing on envelopes.

### **Always Create 100% Black (K) Toner**

Select this if you want the printer to always use only black (K) toner when printing pure black (RGB = 0,0,0).

This is effective even when Composite Black (CMYK) is selected in the color options.

### **Run Maintenance Cycle Before Printing**

Depending on printing habits and usage patterns, running the maintenance cycle before printing may ensure the best possible print quality.

This feature uses the printer's image drums and transfer belt; the life of these printer parts may be shortened if the maintenance cycle is run frequently.

### **Adjust Character Spacing**

Select this if you are having problems with the spacing between characters when printing text. For example, spacing is too wide or characters appear printed over the top of each other.

This feature can slow down printing, so only use it if you are having problems.

## **Print Options - Watermark**

A watermark is typically faint text that is superimposed on a printed document. This can be used to indicate that the document is "Draft" or perhaps "Confidential".

You can create watermarks in the printer driver. Select a font and modify the watermark size, position, color, brightness and angle.

## **Print Options - Information**

Displays a summary of the current printer settings. The driver version is also displayed. This may be useful if you want to check the Oki website for a newer printer driver.

## Mac OS X

The information in this section is based on Mac OS X Tiger (10.4). Other versions such as Panther (10.3) and Jaguar (10.2) versions may appear slightly different, but the principles are the same.

### Setting Printing Options

You can choose your printer and select options for how you want your documents to print from the Print dialog box.

To set your printer options:

1. Open the document you want to print.
2. To change the paper size or page orientation, select File > Page Setup.
3. Close the Page Setup dialog box.
4. Select File > Print.
5. Select your printer from the Printer drop-down menu.
6. To change any printer driver settings, select the required options from the "Settings" drop-down menu. You can select more options from the Copies & Pages menu. For a description of these options, see ["Print options - Copies & pages" on page 37](#).
7. Click the **Print** button.

### Saving Printing Options

You can save a set of printer driver options to use for future documents.

1. Open the document you want to print.
2. To change the paper size or page orientation, select File > Page Setup.
3. Select Save As Default from the Settings drop-down menu.
4. To save the current printer driver settings as a preset, select Save As from the Preset menu.
5. Enter a name for your preset and click OK.

### Changing the default printer and paper size

The following steps describe how to change your default printer and the paper size options.

1. Select Apple menu > System Preferences.

2. Click the Print & Fax icon.
3. Select your printer in the "Selected Printer in Print Dialog" drop-down menu.
4. Select your required paper size in the "Default Size in Page Setup" drop-down menu.

## **Page setup options**

This section provides a description of the page setup options available to you.

### **Page Attributes**

You can select "Save As Default" to use the current Page Setup settings as a standard for all documents.

### **Format for**

Allows you to select your printer model before changing options such as Paper size and Orientation.

### **Paper Size**

Select a paper size to match your document and the paper loaded in the printer. The paper margin is 1/6 inch (4.2 mm) at all edges. To specify your own paper sizes, select "Manage Custom Sizes..."

### **Scale**

You can scale documents up or down to fit onto different paper sizes. To fit your document on a specific paper size, select Options in the Paper Handling drop-down menu in the Print Options dialog box.

### **Orientation**

You can select a portrait or landscape option. When using landscape, you can rotate the document 180 degrees.

## **Print options - Copies & pages**

### **Copies**

This option allows you to enter the number of copies to print. If you select Collate, all pages of the document will print before the next copy prints.

### **Pages**

You can select whether to print all pages of a document or just a section of it.

## Layout

### Pages per sheet

You can shrink multiple pages and print them on a single sheet of paper. For example, choosing 4-up will tile four of your document's pages across a single sheet of paper.

You can control the order in which the documents are tiled and also choose to surround each document page with a border.

## Scheduler

This option lets you choose whether to print your document immediately, or defer printing until later. You can also assign a priority to a print job.

These features are useful if you are printing large documents that take a long time to print.

## Paper handling

### Page order

You can choose to print your document in the normal page order (1,2,3..) or reverse order (..3,2,1).

### Print

This option allows you to choose whether to print only odd or even numbered pages. This is useful if you are using manual duplex for which you first print all odd pages, re-insert the paper in the printer and then print all even pages.

### Destination paper size

Scale documents to fit on the size of paper in your printer. For example, you can take a document formatted for Legal/A3 and print it on Letter/A4 paper using an Letter/A4 printer.

## ColorSync

### Color conversion

For Color Conversion, Standard is the only option available for your printer model.

### Quartz Filter

Choose a Quartz filter if you wish to apply a special effect to your print job, such as Sepia or Blue Tone. This is only available on Mac OS X 10.3 (Panther) or later versions.

## Cover page

Choosing a cover page may help you to identify your printed document in a large pile of paper. This is useful in a busy office with many people sharing the printer.

## Paper source

This option allows you to select which paper tray to use for your print job.

## Print quality

### Print quality

Use this option to select the print resolution. The setting produces the best graphic images, but these images can take longer to print.

### Photo Enhance

Use Photo Enhance to significantly improve quality when printing images. The printer driver analyses any photographic images and processes them to improve the overall appearance. This setting cannot be used together with the High Quality print quality setting.

### Toner Saving

Toner saving uses less toner when printing your document. This is best suited to draft text documents as it lightens the print significantly.

## Color

### Color mode

COLOR MODE	DESCRIPTION
Auto Color	The driver selects the most appropriate color settings.
Advanced Color	Allows you to manually adjust color and black and white settings or select.
Grayscale	Convert all colors to shades of grey.

## Color matching

COLOR	DESCRIPTION
Monitor (6500K) Perceptual	Optimized for printing photos. Colors are printed with emphasis on saturation.
Monitor (6500K) Vivid	Optimized for printing photos, but with even more saturated colors.
Monitor (9300K)	Optimized for printing graphics from applications such as Microsoft Office. Colors are printed with emphasis on Lightness.
Digital Camera	Results will vary depending on the subject and conditions the image was taken.
sRGB	The printer reproduces the sRGB color space. This might be useful if color matching from an sRGB input device such as a scanner or digital camera.

## Black Finish

Use this option to control the way black is printed in color documents. Select Composite Black (CMYK) to use all 4 toner colors to represent black. This option is recommended for color photos. Select True Black (K) to use 100% black toner to represent black. This option is recommended for text and business graphics.

## Brightness / Saturation

This option allows you to increase brightness for a lighter print. Modify saturation to change the strength (or purity) of a color.

If the printed colors are too strong, reduce saturation and increase brightness. As a general rule, reduce saturation by the same amount as you increase brightness. For example, if you reduce saturation by 10, increase brightness by 10 to compensate.

## Printer setup options

### Printer options

#### Media weight

Select the thickness or type of paper in the printer. It is important to set this correctly as it affects the temperature at which the toner is fused to the paper. For example, if you are printing on



normal Letter/A4 paper, do not select Labels as this may cause toner smearing and paper jams.

### **Paper size check**

Select Paper Size check if you want the printer to warn you when the document paper size is different from the paper in the printer.

A warning message is displayed and printing continues when you load the correct paper in the tray and press **ON LINE**. When this option is deselected, the printer uses the paper loaded in the selected tray regardless of the document size.

### **Feed manually from Multi Purpose Tray**

Select this option if you want the printer to wait until you press the **ON LINE** button when feeding from the Multi Purpose Tray. This can be useful if printing on envelopes.

### **Always create 100% black (K) toner**

Select this option if you want the printer to always use only black (K) toner when printing pure black (RGB = 0,0,0). This is effective even when Composite Black (CMYK) is selected in the color options.

### **Run maintenance cycle before printing**

Depending on printing habits and usage patterns, running the maintenance cycle before printing may ensure the best possible print quality. This feature uses the printer's image drums and transfer belt. The life of these printer consumables may be shortened if the printer runs a maintenance cycle frequently.

## **Print control**

If you are using the Windows Print Control Server software to manage printers, enter your assigned user name and ID. This information is sent to the printer with your print job and is recorded by the printer.

## **Summary**

This option displays a summary of all selected print options for the current job.

# Printing

---

This chapter describes how to carry out basic printing tasks using your printer.

## Test printing

### Print a demo page

1. Switch on the printer and allow it to warm up.
2. Press the **ENTER** button on your printer to display INFORMATION MENU on the LCD.
3. Press **ENTER** to select the menu.
4. Press the Down arrow until DEMO1 is displayed on the LCD.
5. Press **ENTER** to print the demo page.

### Print the Menu map

The Menu Map prints a list of all the printer's menus and their current settings.

1. Switch on the printer and allow it to warm up.
2. Press the **ENTER** button on your printer to display INFORMATION MENU on the LCD.
3. Press **ENTER** to select the menu.
4. PRINT MENU MAP is displayed on the LCD; press **ENTER** to print the Menu map.

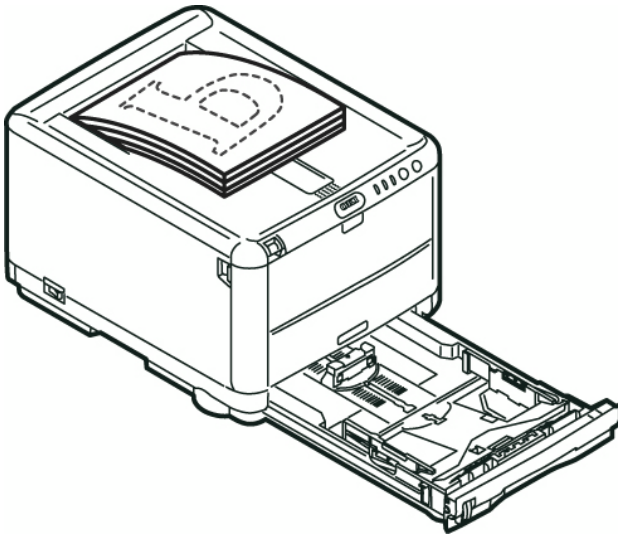
## 2-sided printing (Windows only)

To carry out 2-sided, or Manual Duplex Printing you must pass paper through the printer twice. You can carry out 2-sided printing using the Cassette Tray or the Multi Purpose Tray.

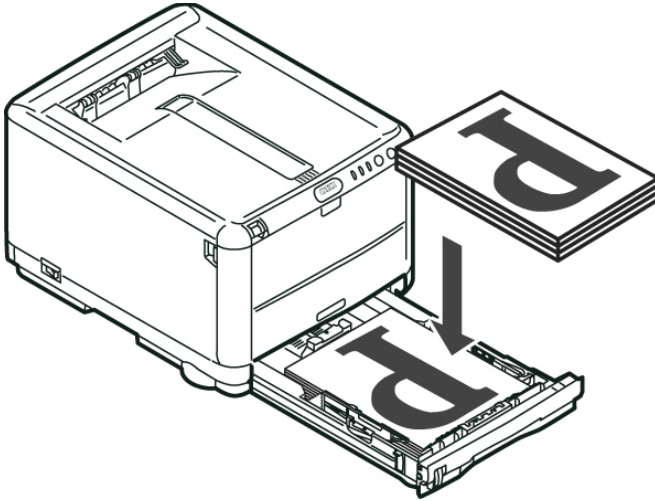
2-sided Printing is supported on Windows operating systems only.

## Manual duplex printing using the cassette tray

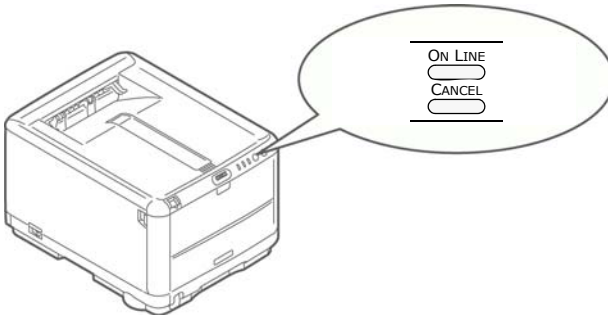
1. Ensure that there is enough paper in the cassette tray to carry out the print job.
2. Select File -> Print and click the **Properties** button. In the 2-sided printing drop down menu, select either "Long Edge" or "Short Edge" according to your printing preferences. If you require further information, click the **Duplex Help** button. Then, Click the **Print** button.
3. Every second page of your document is printed first. When this is complete, a message appears on screen prompting you to take the paper, flip it and replace it in the Cassette Tray.
4. Open the Cassette Tray.



5. Take the printed paper from the Output Stacker and place it in the Cassette Tray with the printed side facing up and the bottom of the page facing into the printer.



6. Close the Cassette Tray and press the **ON LINE** button as directed in the status message. The message window should disappear from your screen and the document finishes printing the remaining pages of your document.

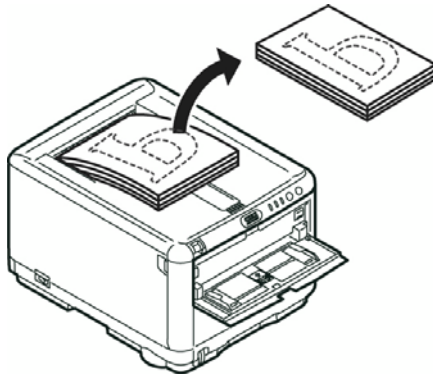


## Manual duplex printing using the Multi Purpose Tray

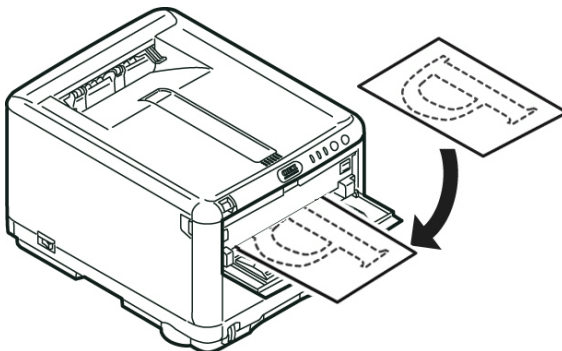
*NOTE:*

*When using the Multi Purpose Tray, feed pages one sheet at a time.*

1. Position the paper guides on the Multi Purpose Tray according to the paper size.
2. Place paper one sheet at a time in the Multi Purpose Tray. The paper is automatically gripped in position.
3. Select File -> Print to display the Print dialog box.
4. Click the **Properties** button. On the 2-sided printing drop down menu, select either "Long Edge" or "Short Edge" according to your printing preferences. If you require further information, click the **Duplex Help** button
5. When every second page has printed, take the paper from the output stacker.



6. Set the paper one page at a time in the Multi Purpose Tray with the printed side facing down and the top of the page facing into the printer. Ensure that the paper is gripped in place.



7. Press the **ON LINE** button. The remaining pages of your document print on the blank side of the paper.

## Printing on different media

This section describes how to print on material other than normal Letter/A4 paper.

### Printing on legal paper

When printing on legal paper you need to change the media settings for the printer software to get the best results.

You can either set a default driver for each type of media or you can change the print media settings through your Windows printer properties or Mac Print options any time you print on different media.

### Printing on envelopes

*NOTE:*

*Do not use envelopes with clear windows. Use paper envelopes only.*

- 1.** In the Multi Purpose Tray, adjust the paper guides using the indicators marked on the printer.
- 2.** Place your envelopes in the tray, face up with the short edge facing into the printer and the flap to the right. Do not load more than 1 envelope at a time.
- 3.** From your operating system, access the print media menu and select your envelope size.
- 4.** Print in the usual manner for your operating system software.

## Setting other printing options

This sections briefly describes how to set printing options for your particular print job.

### Fit to page printing

You can choose to print your document on larger or smaller sized paper depending on the size of print media available to you.

1. Insert paper in the Cassette Tray or Multi Purpose Tray in the usual manner.
2. Select File -> Print and click the **Properties** button. Then click the **Paper Feed Options** button. Under Fit to Page, select the page size from the Conversion drop down list.

Printing multiple pages to one sheet

In Windows, open the Printing Preferences Setup Tab. Under Finishing Mode, select the number of document pages that you want to print per sheet of paper from the drop down list.

### Printing color documents in black and white

You can save both time and toner by printing color documents in black and white. Access the Color tab in printing properties and select the "Monochrome" option in Windows or the Grayscale option in Mac before printing your document.

### Cancelling a print job

You can cancel a print job from your software application, from the print queue or by using the **CANCEL** button on your printer.

PRINTING STATE	HOW TO CANCEL
Document has not started printing	Try to cancel printing job within software application
Document is waiting in a print queue	Delete print job from Print Queue. You can access the print queue from the System Tray in Windows or the Print Center Queue in Mac.
Document has started printing	Press the <b>CANCEL</b> button on your printer. Any pages that are already moving through the printer will be printed. You will need to press <b>CANCEL</b> for each print job you wish to stop.

# Color Printing

---

The printer drivers supplied with your printer provide several controls for changing the color output. For general use the automatic settings will suffice, providing reasonable default settings that will produce good results for most documents.

Many applications have their own color settings, and these may override the settings in the printer driver. Please refer to the documentation for your software application for details on how that particular program's color management functions.

## **Factors that affect the appearance of prints**

If you wish to manually adjust the color settings in your printer driver, please be aware that color reproduction is a complex topic, and there are many factors to take into consideration. Some of the most important factors are listed below.

## **Differences between the range of colors a monitor or printer can reproduce**

- > Neither a printer nor a monitor is capable of reproducing the full range of colors visible to the human eye. Each device is restricted to a certain range of colors. In addition to this, a printer cannot reproduce all of the colors displayed on a monitor, and vice versa.
- > Both devices use very different technologies to represent color. A monitor uses Red, Green and Blue (RGB) phosphors (or LCDs), a printer uses Cyan, Magenta, Yellow and Black (CMYK) toner or ink.
- > A monitor can display very vivid colors such as intense reds and blues and these cannot be easily produced on any printer using toner or ink. Similarly, there are certain colors, (some yellows for example), that can be printed, but cannot be displayed accurately on a monitor. This disparity between monitors and printers is often the main reason that printed colors do not match the colors displayed on screen.



## Viewing conditions

A print can look very different under different lighting conditions. For example, the colors in a print may look different when viewed standing next to a sunlit window, compared to how they look under standard office fluorescent lighting.

## Printer driver color settings

The driver settings for Manual color can change the appearance of a print. There are several options available to help match the printed colors with those displayed on screen.

## Monitor settings

The brightness and contrast controls on your monitor can change how your document looks on-screen. Additionally, your monitor's color temperature influences how "warm" or "cool" the colors look.

There are several settings found on a typical monitor:

- > 5000k Warmest; yellowish lighting, typically used in graphic art environments.
- > 6500k Cooler; approximates daylight conditions.
- > 9300k Cool; the default setting for many monitors and television sets.

*(k = degrees Kelvin, a measurement of temperature.)*

## How your software application displays color

Some graphics applications such as Corel Draw or Adobe Photoshop may display color differently from "Office" applications such as Microsoft Word. Please see your application's on-line help or user manual for more information.

## Paper type

The type of paper used can also significantly affect the printed color. For example, a printout on recycled paper can look duller than one on specially formulated high-quality paper.

## **Tips for printing in color**

The following guidelines may help you to achieve good color output from your printer.

### **Printing photographic images**

Use the Monitor (6500k) Perceptual setting.

If the colors look too dull, try the Monitor (6500k) Vivid or Digital Camera settings.

### **Printing from Microsoft Office applications**

Use the Monitor (9300k) setting. This may help if you are having problems with specific colors from applications such as Microsoft Excel or Microsoft Powerpoint.

### **Printing specific colors (e.g., a company logo)**

There are 2 utilities on your printer driver CD-ROM that can help match specific colors:

Color Correct Utility

Color Swatch Utility

### **Adjusting the brightness or intensity of a print**

If the print is too light/dark, you can use the Brightness control to adjust it.

If the colors are too intense/not intense enough, use the Saturation control.

## Accessing the color matching options

The Color Matching options in the printer driver can be used to help match your printed colors to the ones displayed on your monitor or from some other source, such as a digital camera.

To open color matching options from the Windows Control Panel:

1. Open the **Printers** window (called "Printers and Faxes" in Windows XP).
2. Right-click the printer name and choose **Properties**.
3. Click the **Printing Preferences** button.

To open color matching options from within a Windows application:

1. Choose **File—Print...** from the application's menu bar.
2. Click the **Properties** button next to the printer name.

## Setting the color matching options

1. On the **Color** tab select **Advanced Color** for Color Matching.
2. Choose the **Manual** color setting and select from the following options:
  - (a) **Monitor (6500k) Perceptual**

Optimized for printing photographs. Colors are printed with emphasis on saturation.
  - (b) **Monitor (6500k) Vivid**

Optimized for printing photographs, but with even more saturated colors than the Monitor (6500k) Perceptual setting.
  - (c) **Monitor (9300k)**

Optimized for printing graphics from applications such as Microsoft Office. Colors are printed with emphasis on Lightness.
  - (d) **Digital Camera**

Optimized for printing photographs taken with a digital camera.

Your results will vary depending on the subject and the conditions under which the photograph was taken.
  - (e) **sRGB**

The printer will try to reproduce the sRGB color space. This may be useful if color matching from an sRGB input device such as a scanner or digital camera.

## Using the Color Swatch feature

To use the Color Swatch feature, you must install the Color Swatch Utility. This is supplied on the CD-ROM that was supplied with your printer.

The Color Swatch function prints charts which contain a range of sample colors. Note that this is not the full range of colors that the printer can produce. Listed on each sample color are the corresponding RGB (Red, Green, Blue) values. This can be used to pick specific colors in applications that allow you to choose your own RGB values. Simply click the **Color Swatch** button and choose from the options available.

### An example of using the Color Swatch function:

You wish to print a logo in a particular shade of red. The steps you would follow are:

1. Print a color swatch, then select the shade of red that best suits your needs.
2. Take a note of the RGB value for the particular shade that you liked.
3. Using your program's color picker, enter these same RGB values, and change the logo to that color.

The RGB color displayed on your monitor may not necessarily match what was printed on the color swatch. If this is the case, it is probably due to the difference between how your monitor and printer reproduce color. Here, it is unimportant since your primary objective is to print the required color.

## Using the Color Correct Utility

The Oki Color Correct Utility is provided on your printer driver CD-ROM. You must install it separately since it is not installed along with the printer driver.

The Color Correct utility has the following features:

- > Microsoft Office palette colors can be individually adjusted. This is useful if you want to change how a specific color is printed.
- > Colors can be adjusted by changing Hue, Saturation and Gamma. This is useful if you wish to change the overall color output.

Once these color adjustments have been made, the new settings can be selected from the printer driver Color tab.

### To select adjustments made with the Color Correct Utility:

1. From your application program, click **File** and point to **Print**.
2. Click **Properties**. This displays the printer driver options.
3. Click the **Color** tab.
4. Click **Advanced Color**.
5. Click **User Defined**.

Select the color adjustment you made with the Color Correct Utility.

# Using the printer software

---

## Status Monitor (Windows only)

The Status Monitor software is distinct from and installed separately from the driver software.

---

*NOTE*

*For reliable operation of the Status Monitor, ensure that the USB cable is of length 2 m (78.74 in.) maximum.*

---

The Status Monitor provides a readable indication of the printer status as displayed on the indicator LEDs on the Operation Panel (see [“The Operation Panel” on page 10](#)) and allows you to access the printer menus (listed at the end of this chapter) to set printer parameters such as paper size etc.

---

*NOTE*

*The Status Monitor is available to Windows operating systems only. Mac OS X has a “Printer Menu” utility that allows you to change the user settings outlined in this chapter.*

---

## Using the Status Monitor

---

*NOTE*

*You are advised to refer to the extensive on-line help as required when using the Status Monitor.*

---

Viewing the status of the printer, and viewing or changing the printer menu settings are carried out through the Status Monitor. Click on [Start], [All Programs] and select **Okidata|OKI 3600| Status Monitor**. The current printer status is shown.

## Printer State tab

This tab is visible by default on opening the Status Monitor and displays detailed information about the status of the printer.

## Printer Setup tab

Selecting this tab provides access to the **Select Printer** button, which, when selected, allows you to monitor the status any printer configured for use with your computer.

The Printer Menu button enables you to access the printer menu settings.

From the printer menu, you can configure your printer settings.

## Preferences tab

Selecting this tab provides the means to choose the information displayed by the Status Monitor and how/when the Status Monitor appears.

The default Alert view setting (Pop up on alerts) ensures that the Status Monitor pops up to inform you of a condition that requires your attention; e.g., paper out in Cassette Tray.

## Printer functions (User Settings)

The printer settings made from the Status Monitor can be seen collectively on a printed Menu Map (or Status Page).

## User Settings

On the Status Monitor Setup tab, click **Printer Menu**. The User Settings Print Menu appears. You change user settings options from this menu.

To save your changes, click the **Apply the changed settings** icon, in the top left hand corner. To undo a change, click the **Undo changed settings** icon.

## Administrator Settings

This menu is intended to be used only by designated staff.

On the User Settings window, select Display -> Administrator Menu. The User Settings menu is updated to include the Administrator menu options.

The Administrator Settings menu has the settable items, including access to the user menus. If you disable a menu from this tab, it does not appear on the User Settings tab.

To save your changes, click the "Apply the changed settings" icon (as shown below), in the top left hand corner.



To undo a change, click the **Undo changed settings** icon.

---

*NOTE*

*You can access the printer menu settings window direct by clicking [Start], [All Programs] and selecting **Okidata|OKI C3600n|Printer Name Printer Settings**.*

---

It should be noted that many of these settings can be, and often are, overridden by settings made in the printer drivers. However, several of the driver settings can be left at "Printer Setting", which will then default to the settings entered in these printer menus.

Factory default settings are shown in **bold type** in the following tables.

### **Printer Menu utility (Mac only)**

There is no status monitor in Mac. You can change printer user settings through the Printer Menu utility.

You can use Windows Print Control Server Software to manage your printer in Mac. For more information, see "Printing From Mac" on page 31

# Printer menus

---

**NOTE:**

Each menu can be disabled or enabled in the Administration Menu. If a menu is disabled, it will not appear on the LCD list of menus.

## Information menu

This menu provides a quick method of listing various items stored within the printer.

INFORMATION MENU		
ITEM	ACTION	EXPLANATION
PRINT MENU MAP / STATUS PAGE PRINT	EXECUTE	Prints complete menu listing with current settings shown.
COLOR PROF LIST	EXECUTE	Prints a list of stored color profiles.
USAGE REPORT	EXECUTE	Prints a list of the number of color and mono pages printed.
PRINT ERROR LOG	EXECUTE	Prints a list of all errors and warnings that occurred on the printer.
DEMO1	EXECUTE	Prints a demonstration page containing graphics and text in color and monochrome.
PRINT FX FONT	EXECUTE	Prints complete list of all internal Epson FX emulation fonts, including any downloaded to flash memory or hard disk.
PRINT PPR FONT	EXECUTE	Prints complete list of all internal IBM ProPrinter III XL emulation fonts, including any downloaded to flash memory or hard disk.
PRINT PSE FONT	EXECUTE	Prints complete list of all internal Postscript emulation fonts.
PRINT PCL FONT	EXECUTE	Prints complete list of all internal PCL fonts, plus those stored in ROM (slot 0), flash memory and in hard disk (if installed).
PRINT FILE LIST	EXECUTE	Prints a list of overlays, macros, fonts and other files stored on the printer's hard disk drive (if installed).
NETWORK	EXECUTE	Prints a page that lists the printer's current network settings.

## Shut down menu

This menu provides an option to ensure that your printer can be safely switched off.

SHUT DOWN MENU		
ITEM	ACTION	EXPLANATION
SHUT DOWN START	EXECUTE	Prepares printer to be safely switched off.

## Print menu

This menu provides adjustment of various print job related functions.

PRINT MENU		
ITEM	SETTINGS	EXPLANATION
COPIES	<b>1-999</b>	Enter the number of copies of a document to be printed from 1 to 999.
MANUAL FEED (Multi Purpose Tray)	<b>ON/OFF</b>	Selects the default tray for paper feed, Cassette Tray or Multi Purpose Tray.
MEDIA SIZE CHECK	<b>ENABLE</b> <b>DISABLE</b>	Determines whether the printer checks the size of paper loaded matches that required for the document sent to print.
RESOLUTION	600DPI <b>600 x 1200 DPI</b> 600DPI M-LEVEL	Sets the default resolution for printing (dots per inch). 600 x 1200 dpi uses more memory and requires more time to process, but prints at a higher quality.
TONER SAVE MODE	ON <b>OFF</b>	Reduces the amount of toner used for imaging. Toner saving produces lighter prints but is more economical.
MONO-PRINT SPEED	<b>AUTO</b> COLOR NORMAL	Selects the printer's print engine speed for the type of print media in use.
ORIENTATION	PORTRAIT LANDSCAPE	Selects the default page orientation: portrait (tall) or landscape (wide). [PCL, IBMPPR, and EPSON FX only]
LINES PER PAGE	5~ <b>64</b> ~128	Sets the number of lines of text per page when raw text is received from systems other than Windows. The default for A4 portrait is 65, and for Letter is 60.

PRINT MENU		
ITEM	SETTINGS	EXPLANATION
EDIT SIZE	CASSETTE SIZE AR / A5 / A6 / B5 LEGAL14 LEGAL13.5 LEGAL13 LETTER EXECUTIVE CUSTOM COM-9 ENVELOPE COM-10 ENVELOPE MONARCH ENVELOPE DL ENVELOPE C5 ENVELOPE	Sets the size of the printable page area to match the size of paper in use. This is not the same as the physical paper size, which is always slightly larger. For dimensions of physical page sizes, see "Paper Recommendations" in this guide.

## Media menu

This menu provides adjustments to suit a wide range of print media.

MEDIA MENU		
ITEM	SETTINGS	EXPLANATION
TRAY PAPERSIZE (MEDIA SIZE)	A4 / A5 / A6 / B5 <b>LETTER</b> EXECUTIVE LEGAL14 LEGAL13 LEGAL13.5 CUSTOM	Selects the size of paper loaded in Tray 1. For CUSTOM setting see X-DIMENSION and Y-DIMENSION later in this table.
TRAY - MEDIA TYPE	<b>PLAIN</b> LETTERHEAD BOND RECYCLED ROUGH GLOSSY CARD STOCK LABELS USERTYPE1 - 5	Selects the type of media loaded in this tray. This will help the printer to adjust its internal operating parameters, such as engine speed and fusing temperature, to better accommodate the media to be fed. For example, letterhead may benefit from a slightly lower fusing temperature to ensure that its ink does not offset. Usertype 1 – 5 will be displayed only when registered from the host PC.
TRAY - MEDIA WEIGHT	<b>MEDIUM</b> 20-24 lb. 75-90 g/m <sup>2</sup> HEAVY 24-32 lb. 91-120 g/m <sup>2</sup> ULTRA HEAVY 32-54 lb. 121-203 g/m <sup>2</sup>	Adjusts the printer for the weight of paper stock loaded in this tray.

<b>MEDIA MENU</b>		
<b>ITEM</b>	<b>SETTINGS</b>	<b>EXPLANATION</b>
MANUAL (Multi Purpose Tray) - PAPER SIZE	A4 / A5 / A6 / B5/ <b>LETTER</b> EXECUTIVE LEGAL14 LEGAL13 LEGAL13.5 CUSTOM COM-9 ENVELOPE COM-10 ENVELOPE MONARCH ENV DL ENVELOPE C5 ENVELOPE	Selects the size of paper to be fed from the Multi Purpose Tray. For CUSTOM setting see X-DIMENSION and Y-DIMENSION later in this table.
MANUAL (Multi Purpose Tray) - MEDIA TYPE	<b>PLAIN</b> LETTERHEAD LABELS BOND RECYCLED CARD STOCK ROUGH GLOSSY USERTYPE1 – 5	Selects the type of media to be fed from the Multi Purpose Tray so that the printer can adjust its internal parameters to better accommodate the selected type of media. Usertype 1 – 5 will be displayed only when registered from the host PC.
MANUAL (Multi Purpose Tray) - MEDIA WEIGHT	<b>MEDIUM</b> 20-24 lb. 75-90 g/m <sup>2</sup> HEAVY 24-32 lb. 91-120 g/m <sup>2</sup> ULTRA HEAVY 32-54 lb. 121-203 g/m <sup>2</sup>	Selects the media weight to be fed from the Multi Purpose Tray.
UNIT OF MEASURE CUSTOM PAPER SIZE - MEDIA SIZE UNIT	MILLIMETRE <b>INCH</b>	Selects the unit of measure for the next two items.
X DIMENSION CUSTOM PAPER SIZE - MEDIA WIDTH	2.52-8.27- <b>8.5</b> inches 64-210-216 millimetres	Selects the width of paper defined by the "CUSTOM" settings referred to in the foregoing PAPER SIZE settings.
Y DIMENSION CUSTOM PAPER SIZE - MEDIA LENGTH	5.83- <b>11</b> -47.24 inches 148-297-1200 millimetres	Selects the length of paper defined by the "Custom" settings referred to in the foregoing PAPER SIZE settings. Note that media of up to 47.24 in (1200 mm) in length can be fed from the Multi Purpose Tray for banner printing.

## Color menu

The printer automatically adjusts color balance and density at appropriate intervals, optimizing the printed output for bright white paper viewed in natural daylight conditions. The items on this menu provide a means of changing the default settings for special or particularly difficult print jobs. Settings revert to their default values when the next print job is complete.

COLOR MENU		
ITEM	SETTINGS	EXPLANATION
DENSITY CONTROL ADJUSTMENT MODE	<b>AUTO</b> MANUAL	If set to AUTO, image density will be automatically adjusted at power on, when a new image drum or toner cartridge is installed, and at intervals of 100, 300 and 500 drum counts. If a 500 drum count interval occurs during a print job it will occur at the end of that job, and will take up to 55 seconds. If set to MANUAL, this adjustment will only be performed when initiated by the next menu item.
CMYK CONVERSION	<b>ON</b> OFF	To simplify the conversion process of CMYK data and reduce processing time, set to OFF. <b>Notes:</b> This setting is ignored when Ink Simulation is used. This setting only applies to PS models.
CMY 100% DENSITY	<b>DISABLE</b> ENABLE	When enabled, black areas are produced using 100% C, M, and Y instead of black. This results in a glossier finish.
UCR	<b>LOW</b> MEDIUM HIGH	Selects a limitation of the toner layer thickness. If paper curling occurs in dark printing, selecting MEDIUM or LIGHT may reduce curling.
INK SIMULATION	<b>OFF</b> SWOP EUROSCALE JAPAN	Selects from a range of industry-standard color swatches. <b>Note:</b> This setting only applies to PS models.
DENSITY ADJUSTMENT	EXECUTE	Selecting this will perform the auto density set up immediately.

COLOR MENU		
ITEM	SETTINGS	EXPLANATION
ADJUSTMENT REGISTRATION (Color Registration Adjustment)	EXECUTE	Performs automatic color registration adjustment. Normally this is done on power on and when the top cover is opened and then closed. This process accurately aligns the cyan, magenta and yellow images to the black image. <b>Note:</b> Make sure the printer is idle before changing this setting.
Position Registration Fine Adjustment C REG FINE ADJUST M REG FINE ADJUST Y REG FINE ADJUST	-3~0~+3 -3~0~+3 -3~0~+3	Performs fine adjustment of image timing in relation to the black image component.
Darkness Settings C DARKNESS M DARKNESS Y DARKNESS K DARKNESS	-3~0~+3 -3~0~+3 -3~0~+3 -3~0~+3	Adjusts the darkness of each color component (Cyan, Yellow, Magenta, and Black). Normal setting is "0".
Image Density Settings C HIGHLIGHT C MID-TONE C DARK M HIGHLIGHT M MID-TONE M DARK Y HIGHLIGHT Y MID-TONE Y DARK K HIGHLIGHT K MID-TONE K DARK	-3~0~+3 -3~0~+3 -3~0~+3 -3~0~+3 -3~0~+3 -3~0~+3 -3~0~+3 -3~0~+3 -3~0~+3 -3~0~+3 -3~0~+3 -3~0~+3	Adjusts image density for each color component (Cyan, Yellow, Magenta, and Black). Normal setting is "0".
COLOR TUNING	PRINT PATTERN	Selecting this item prints the Color Tuning Pattern swatches that can help you adjust the color balance.



## System configuration menu

This menu adjusts general printer settings to suit the way you prefer to work.

SYSTEM CONFIGURATION MENU		
ITEMS	SETTINGS	EXPLANATION
TIME TO POWER SAVE MODE	5 MIN 15 MIN <b>30 MIN</b> 60 MIN 240 MIN	Adjusts the idling time before the printer automatically switches into power saving mode. In this mode power consumption is reduced to a low level required to just keep the printer operating and ready to receive data. When a job is sent the printer will require a warm-up time of up to 1 minute before printing can begin.
CLRABLE WARNING (CLEAR ALARMS)	<b>ONLINE</b> JOB	When ON LINE, non-critical warnings, such as requests for a different paper size, can be cleared by pressing the <b>ON LINE</b> button. When set to JOB, they are cleared when the print job resumes.
MANUAL FEED (Multi Purpose Tray) TIMEOUT	OFF 30~ <b>60</b> ~120~ 200~30 seconds	Specifies how many seconds the printer will wait for paper to be fed in manual feed mode before cancelling the job.
WAIT TIMEOUT	OFF 5~10~20~30~ <b>40</b> ~300 seconds	Specifies how many seconds the printer will wait when received data pauses before forcing a page eject. In Postscript Emulation mode the job will be cancelled if timeout occurs.
AUTO CONTINUE	<b>OFF</b> ON	Determines whether or not the printer will automatically recover from a memory overflow error.
NET PS PROTOCOL	<b>RAW</b> ASCII	Selects PostScript data format for the network port.
USB PS PROTOCOL	<b>RAW</b> ASCII	Selects PostScript data format for the USB port.
LOW TONER (PRINT CONTINUATION AT TONER SHORTAGE)	<b>CONTINUE</b> STOP	Specifies whether the printer should continue printing even after a low toner condition is detected.

SYSTEM CONFIGURATION MENU		
ITEMS	SETTINGS	EXPLANATION
JAM RECOVERY	<b>ON</b> OFF	Specifies whether the printer should perform jam recovery after a paper jam has occurred. If ON, the printer will attempt to print again any pages lost due to a paper jam once the jam has been cleared.
ERROR REPORT	ON <b>OFF</b>	Specifies whether to print an error report when an internal error occurs. <b>Note:</b> Applies to PS and PCL XL only.
PERSONALITY	<b>AUTO EMULATION</b> PS3 EPSON FX IBM PPR III XL PCL	Selects which industry-standard emulation the printer should use. When set to AUTO, incoming data is examined and the correct emulation is automatically selected each time a print job is received.

## PCL Emulation menu

This menu controls the settings that are in effect when the printer is operating in PCL emulation mode.

PCL EMULATION MENU		
ITEM	SETTINGS	EXPLANATION
FONT SOURCE	<b>RESIDENT</b> / RESIDENT2 DOWNLOADED	Specifies the location of the PCL default font. Normally this will be INTERNAL unless additional fonts are installed in the expansion ROM slot or additional fonts have been downloaded to RAM as permanent fonts.
FONT No.	<b>10</b> / C001 / S001	Sets the current default font number from the currently selected source, which could be internal (I), ROM slot (C) or downloaded (S).
FONT PITCH	0.44CPI~ <b>10.00CPI</b> ~ 99.99CPI	Sets the width of the PCL default font in characters/inch (CPI).  Default font is the fixed-pitch, scalable font. The value is displayed to the second decimal place  Displayed only when the font selected in Font No. is fixed-spacing, scalable font.
SYMBOL SET	PC-8 (Default Symbol Set only shown)	PCL symbol set. If the font source and number are changed to one which does not support the selected symbol set, this must be changed to an available symbol set for that font.
A4 PRINT WIDTH	<b>78 COLUMN</b> 80 COLUMN	Sets the number of columns subject to Auto LF with A4 paper in PCL. This is the value when Auto CR/LF Mode is set to OFF with the 10CPI character.
WHITE PAGE SKIP	<b>OFF</b> ON	Selects whether blank pages are printed or not.
CR FUNCTION (Carriage Return)	<b>CR</b> CR+LF	Selects whether a received carriage return character (0Dh) also causes a line feed.
LF FUNCTION (Line Feed)	<b>LF</b> LF+CR	Selects whether a received line feed character (0Ah) also causes a carriage return.
PRINT MARGIN	<b>NORMAL</b> 1/5 INCH 1/6 INCH	Sets the non-printable page area. NORMAL is PCL-compatible.

<b>PCL EMULATION MENU</b>		
<b>ITEM</b>	<b>SETTINGS</b>	<b>EXPLANATION</b>
TRUE BLACK	<b>OFF</b> ON	Selects whether black image data is printed using black toner (ON) or 100% CMY (OFF). (Valid in PCL emulation mode only.)
PEN WIDTH ADJUST	<b>ON</b> OFF	Set to ON when minimum width specified, to stretch a one-dot line and eliminate gaps.
TRAY ID#	MP TRAY 1-2-59	Specifies a tray number.

## PPR Emulation menu

This menu controls the settings that are in effect when the printer is operating in PPR emulation mode.

PPR EMULATION MENU		
ITEM	SETTINGS	EXPLANATION
CHARACTER PITCH	<b>10 CPI</b> 12 CPI 17 CPI 20 CPI PROPORTIONAL	Specifies character pitch in IBM PPR emulation.
FONT CONDENSE	<b>12CPI - 20CPI</b> 12CPI - 12CPI	Specifies 12CPI pitch for Condense Mode.
CHARACTER SET	Set 1 <b>Set 2</b>	Specifies a character set.
SYMBOL SET	IBM 437 (Default Symbol Set only shown)	Specifies a symbol set.
LETTER O STYLE	<b>DISABLE</b> ENABLE	Specifies the style that replaces 9BH with the letter o and 9DH with a zero.
ZERO CHARACTER	<b>NORMAL</b> SLASHED	Sets the zero to be slashed or unslashed.
LINE PITCH	<b>6 LPI</b> 8 LPI	Specifies the line spacing (lines per inch).
WHITE PAGE SKIP	<b>OFF</b> ON	Selects whether blank pages are printed or not.
CR FUNCTION (Carriage Return)	<b>CR</b> CR+LF	Selects whether a received carriage return character (0Dh) also causes a line feed.
LF FUNCTION (Line Feed)	<b>LF</b> LF+CR	Selects whether a received line feed character (0Ah) also causes a carriage return.
LINE LENGTH	<b>80 COLUMN</b> 136 COLUMN	Specifies the number of characters per line.
FORM LENGTH	11 Inch <b>11.7 Inch</b> 12 Inch	Specifies the length of paper.
TOF POSITION	<b>0.0 INCH</b> - 1.0 INCH	Specifies the distance of print from the top edge of the paper.
LEFT MARGIN	<b>0.0 INCH</b> - 1.0 INCH	Specifies the distance of print from the left hand edge of the paper.

PPR EMULATION MENU		
ITEM	SETTINGS	EXPLANATION
FIT TO LETTER	<b>DISABLE</b> ENABLE	Sets the printing mode that can fit print data, equivalent to 11 inches (66 lines), in the LETTER-size printable area.
TEXT HEIGHT	<b>SAME</b> DIFF	Sets character height: SAME: Regardless of CPI, same height. DIFF (Different): As CPI, character heights vary.

## FX Emulation menu

This menu controls the settings that are in effect when the printer is operating in FX emulation mode.

FX EMULATION MENU		
ITEM	SETTINGS	EXPLANATION
CHARACTER PITCH	<b>10 CPI;</b> 12 CPI; 17 CPI; 20 CPI; PROPORTIONAL	Specifies character pitch in this emulation.
CHARACTER SET	Set 1 <b>Set 2</b>	Specifies a character set.
SYMBOL SET	<b>IBM 437</b> (Default Symbol Set only shown)	Specifies a symbol set.
LETTER O STYLE	<b>DISABLE</b> ENABLE	Specifies the style that replaces 9BH with the letter o and 9DH with a zero.
ZERO CHARACTER	<b>NORMAL</b> SLASHED	Sets the zero to be slashed or unslashed.
LINE PITCH	<b>6 LPI</b> 8 LPI	Specifies the line spacing.
WHITE PAGE SKIP	<b>OFF</b> ON	Selects whether blank pages are printed or not.
CR FUNCTION (Carriage Return)	<b>CR</b> CR+LF	Selects whether a received carriage return character (0Dh) also causes a line feed.
LINE LENGTH	<b>80 COLUMN</b> 136 COLUMN	Specifies the number of characters per line.
FORM LENGTH	11 inch <b>11.7 inch</b> 12 inch	Specifies the length of the paper.
TOF POSITION (Top of Form)	<b>0.0 inch -</b> 1.0 inch	Specifies the distance at which printing starts, from the top edge of the paper.
LEFT MARGIN	<b>0.0 inch -</b> 1.0 inch	Specifies the distance at which printing starts, from the left-hand edge of the paper.
FIT TO LETTER	DISABLE <b>ENABLE</b>	Sets the printing mode that can fit print data, equivalent to 11 inches (66 lines), in the LETTER-size printable area.
TEXT HEIGHT	<b>SAME</b> DIFF	Sets the character height: SAME: Regardless of CPI, same height. DIFF: As CPI, character heights vary.

## USB menu

This menu controls the operation of the printer's USB data interface.

USB MENU		
ITEM	SETTINGS	EXPLANATION
SOFTWARE RESET	ENABLE <b>DISABLE</b>	Enables or disables the SOFT RESET command. (Only available on Windows 98 and Windows Me.)
MAXIMUM SPEED	12 MBPS <b>480 MBPS</b>	Specifies the maximum transfer speed.
OFFLINE RECEIVE	ENABLE DISABLE	Offline receive.
SERIAL NUMBER	<b>ENABLE</b> DISABLE	Specifies the USB serial number to differentiate between USB devices connected to the PC. If <b>ENABLED</b> , the serial number is transmitted. If <b>DISABLED</b> , the serial number is not transmitted.

### NOTE

*When you have changed any settings in the USB MENU, turn the printer OFF, then ON again.*

## Network menu

This menu controls the printer's 10Base-T/100Base-TX network interface.

NETWORK MENU		
ITEM	SETTINGS	EXPLANATION
TCP/IP	<b>ENABLE</b> DISABLE	Enables or disables this network protocol.
IP VERSION	<b>IP V4</b> IPV 4 & V6 IPV 6	Sets up the IP version: - Operates with IPv4 only (not valid with IPv6). - Operates with both IPv4 and IPv6. - Operates with IPv6 only (not valid with IPv4).
NETBEUI	<b>ENABLE</b> DISABLE	Enables or disables this network protocol.
IP ADDRESS SET	<b>AUTO</b> MANUAL	Specifies whether IP address allocation is automatic (DHCP) or manually assigned.



NETWORK MENU		
ITEM	SETTINGS	EXPLANATION
IP ADDRESS	xxx.xxx.xxx.xxx	Current assigned IP address. To change, press <b>ENTER</b> and use <b>+/-</b> keys to increment 1st octet, then press <b>ENTER</b> again to move on to next octet. When 4th octet has been set, press <b>ENTER</b> again to register new address.
SUBNET MASK	xxx.xxx.xxx.xxx	Current assigned subnet mask. To change, proceed as above.
GATEWAY ADDRESS	xxx.xxx.xxx.xxx	Current assigned gateway address. To change, proceed as above.
WEB	<b>ENABLE</b> DISABLE	Enables or disables Web configuration facility.
TELNET	ENABLE <b>DISABLE</b>	Enables or disables Telnet configuration facility.
FTP	ENABLE <b>DISABLE</b>	Enables or disables communication via FTP (File Transfer Protocol).
SNMP	<b>ENABLE</b> DISABLE	Enables or disables SNMP protocol (Simple Network Management Protocol).
NETWORK SCALE	<b>NORMAL</b> SMALL	Selects network size.  When <b>NORMAL</b> is selected, printer can work effectively, even when connected to a HUB that has a spanning tree feature. However, printer start up time gets longer when computers are connected with two or three small LANs.  When <b>SMALL</b> is selected, computers can cover from two or three small LANs to a large LAN, but may not work effectively when connected to a HUB that has a spanning tree feature.
HUB LINK SETTING	<b>AUTO</b> <b>NEGOTIATE</b> 100BASE-TX FULL 100BASE-TX HALF 10BASE-T FULL 10BASE-T HALF	Sets full or half duplex for communication via a network hub.  When <b>AUTO</b> is set, negotiation is done automatically.

## Maintenance menu

This menu provides access to various printer maintenance functions.

MAINTENANCE MENU		
ITEM	SETTINGS	EXPLANATION
MENU RESET	EXECUTE	Resets menus to default settings.
SAVE MENU	EXECUTE	<p>Saves the current menu settings. The last menu executed is saved and the menu previously saved is overwritten and erased.</p> <p>When you press the ENTER button, this confirmation message is displayed: DO YOU WANT TO EXECUTE THIS FUNCTION? YES/NO</p> <p>To return the display to the previous menu without changes, select NO.</p> <p>To store the current menu settings and exit the menu, select YES.</p>
RESTORE MENU	EXECUTE	<p>Changes to the menu setting saved.</p> <p>When the Enter button is pressed, this confirmation message is displayed: ARE YOU SURE? YES/NO</p> <p>If NO is selected, the previous menu display resumes. If YES is selected, changes made to the menu setting are saved and you exit from the menu.</p> <p><b>Notes:</b> This cannot be executed when data is printing.</p> <p>This menu item will only show if the menu has been saved previously.</p>
POWER SAVE MODE	<b>ENABLE</b> DISABLE	Enables or disables automatic power save mode. Delay before entering this mode is set in the system configuration menu.
PAPER BLACK SET	-2~0~+2	Used for small adjustment when you experience faded print or light specks / streaking in monochrome printing on white paper. Select a higher value to reduce fading, or a lower value to reduce specks or streaking in high density print areas.
PLAIN PAPER Color SET	-2~0~+2	As above, but for color printing.

MAINTENANCE MENU		
ITEM	SETTINGS	EXPLANATION
SMR SETTING	-2~0~+2	Sets a correction value for uneven print quality, to correct print variations caused by variations in temperature and humidity or in print density/frequency.
BG SETTING	-3~0~+3	Sets a correction value for dark-colored paper printing, to correct print variations caused by variations in temperature and humidity or in print density/frequency.

## Usage menu

This menu is for information only, and provides an indication of total usage of the printer and the expected life left in its consumable items. This is particularly useful if you do not have a full set of replacement consumables on hand and you need to know how soon you will need them.

USAGE MENU	
ITEM	EXPLANATION
TRAY PAGE COUNT	The total number of pages printed (excluding any pages that have jammed).
MN (Manual Tray) PAGE COUNT	The total number of pages fed from the Multi Purpose Tray.
Consumable Life - BLACK (K) DRUM - C DRUM - M DRUM - Y DRUM - BELT - FUSER	Percentage of life remaining in these consumable items.
Toner Life - BLACK (K) - CYAN (C) - MAGENTA (M) - YELLOW (Y)	Current toner level.

## Print Statistics menu

This menu keeps track of printing statistics.

PRINT STATISTICS MENU		
ITEM	SETTINGS	EXPLANATION
ENTER PASSWORD	nnnn	Enters a password to enter Print Statistics menu. The default password is "0000."
USAGE REPORT	<b>ENABLE</b> <b>DISABLE</b>	Prints a list of jobs carried out on this printer.
RESET COUNTER	EXECUTE	Zeros the counter
GROUP COUNTER	<b>ENABLE</b> <b>DISABLE</b>	Sets Group Counter to display (ENABLE) or not display (DISABLE).
CHANGE PASSWORD	Enables change of the Password	
NEW PASSWORD	****	Sets a new password
VERIFY PASSWORD	****	Verifies the change

## Printing settings

To print a list of the printer settings:

1. Start the Status Monitor.
2. Select the Printer Setup tab.
3. Click on the **Printer Settings** button on the Printer Setup tab.
4. Click on the Information menu and then select Print Menu Map.
5. Click on the **Printer Menu** button to print a Menu Map of printer settings.

---

### NOTE

*A menu map of printer settings can also be printed from the Status Panel by holding down the **ON LINE** button for 2 seconds.*

---

## Changing the Status Monitor Display Language

If required, carry out the following instructions to change the language that is displayed in the Status Monitor.

1. Start the Status Monitor.
2. Select the Printer Setup tab.
3. Click on the **Printer Settings** button on the Printer Setup tab.
4. In the System Configuration menu, select the required language.
5. Click on the **Save** button.

# Replacing Consumables and Maintenance Items

---

**NOTE:** *Fusers and transfer belts are replaceable maintenance items. They are warranted against defects for 90 days. When the printer display indicates that they are near end of life, a replacement must be purchased.*

## Life Expectancy

See "Specifications" on page 112.

## Part Numbers

### Toner

Black, <i>standard</i>	43459404
Cyan, <i>standard</i>	43459403
Magenta, <i>standard</i>	43459402
Yellow, <i>standard</i>	43459401
Black, <i>high capacity</i>	43459304
Cyan, <i>high capacity</i>	43459303
Magenta, <i>high capacity</i>	43459302
Yellow, <i>high capacity</i>	43459301

### Image Drum

Black	43460204
Cyan	43460203
Magenta	43460202
Yellow	43460201

### Fuser

120 V	43377003
230V	43377004

### Belt

Belt	43378002
------	----------

### Memory

256 MB RAM	43363304
512 MB RAM	43363305

**Only use genuine Oki Original products to ensure the best quality and performance from your hardware. Non Oki Original products may damage your printer's performance and invalidate your warranty. Specifications subject to change without notice.**

# Toner cartridge replacement

---

## **CAUTION!**

**To avoid toner wastage and possible toner sensor errors, do not change the- toner cartridge(s) until "TONER EMPTY" is displayed through the Status Monitor.**

The toner used in this printer is a very fine dry powder. It is contained in four cartridges: one each for cyan, magenta, yellow and black.

Have a sheet of paper handy so that you have somewhere to place the used cartridge while you install the new one.

Dispose of the old cartridge responsibly by placing it inside the pack that the new one came in. Follow any regulations, recommendations, etc., which may be in force concerning waste recycling.

If you do spill any toner powder, lightly brush it off. If this is not enough, use a cool, damp cloth to remove any residue. *Do not use hot water, and never use solvents of any kind. They will make stains permanent.*

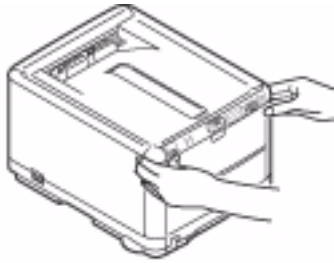
## **WARNING!**

**If you inhale any toner or get it in your eyes, drink a little water or bathe your eyes liberally in cold water. Seek medical attention immediately.**

Before changing the toner cartridge, switch off the printer and allow the fuser to cool for about 10 minutes before opening the cover.



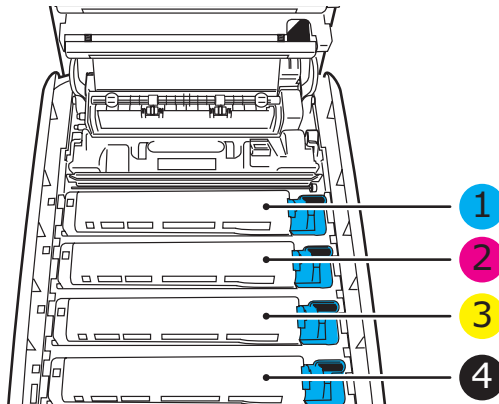
1. Press the cover release and open the printer's top cover fully.



### WARNING!

If the printer has been powered on, the fuser may be hot. This area is clearly labelled. Do not touch this area.

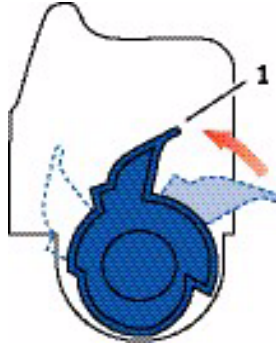
2. Note the positions of the 4 cartridges.



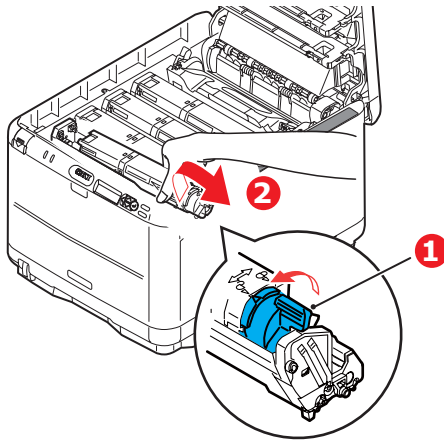
1. Cyan cartridge	2. Magenta cartridge
3. Yellow cartridge	4. Black cartridge

**3.** Carry out one of the following:

- (a)** If you are replacing a toner cartridge that has been supplied with your printer (release lever has 3 positions), pull the colored toner release lever on the cartridge to be replaced towards the front of the printer, in the direction of the arrow, but stop at the central (upright) position (1).



- (b)** If you are replacing any other toner cartridge (lever has 2 positions), pull the colored toner release lever (1) on the cartridge to be replaced fully towards the front of the printer.



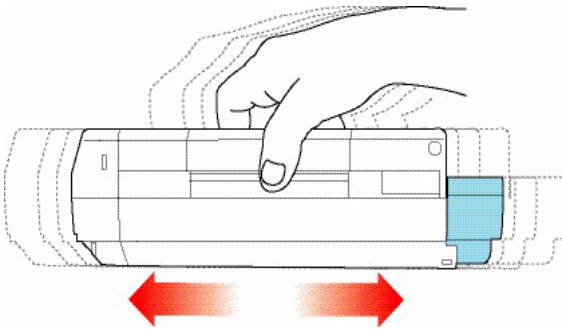
- 4.** Lift the right-hand end of the cartridge and then draw the cartridge to the right to release the left-hand end as shown, and withdraw the toner cartridge from the printer (2).

- Put the cartridge down gently onto a piece of paper to prevent toner from marking your furniture.

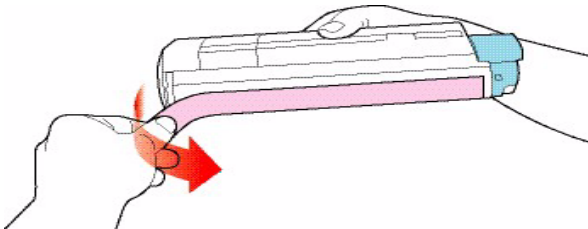
### CAUTION!

**The green image drum surface is very delicate and light sensitive. Do not touch it and do not expose it to normal room light for more than 5 minutes. If the drum unit needs to be out of the printer for longer than this, please wrap the cartridge inside a black plastic bag to keep it away from light. Never expose the drum to direct sunlight or very bright room lighting.**

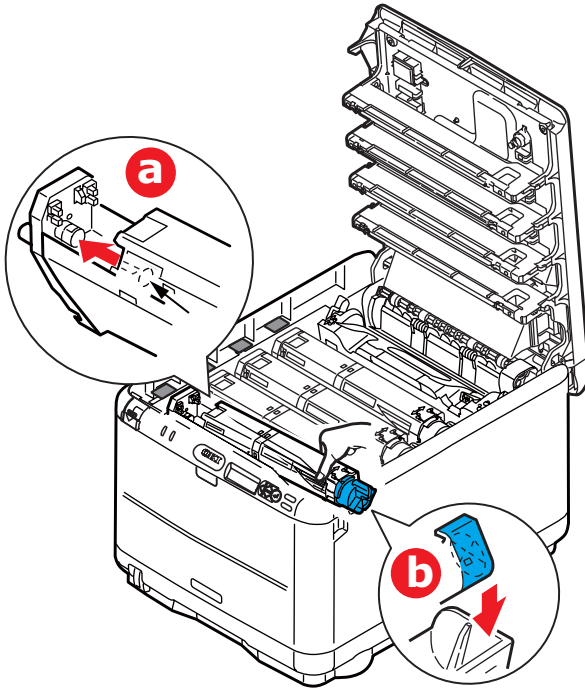
- Remove the new cartridge from its box but leave its wrapping material in place for the moment.
- Gently shake the new cartridge from end to end several times to loosen and distribute the toner evenly inside the cartridge.



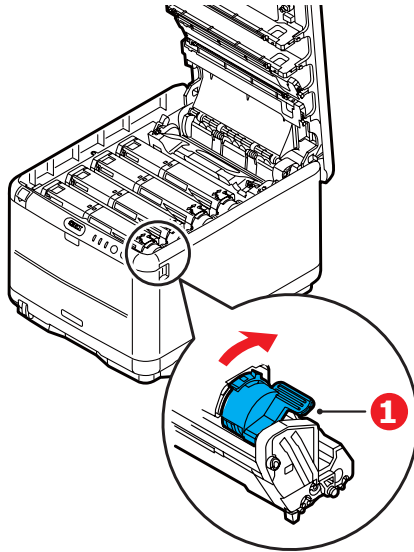
- Remove the wrapping material and peel off the adhesive tape from the underside of the cartridge.



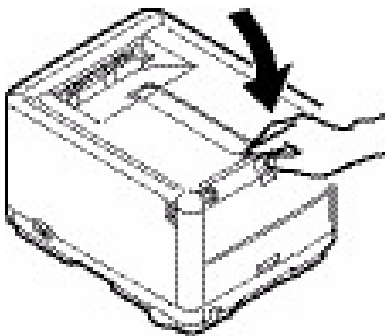
9. Holding the cartridge by its top center with the colored lever to the right, lower it into the printer over the image drum unit from which the old cartridge was removed.
10. Insert the left end of the cartridge into the top of the image drum unit first, pushing it against the spring on the drum unit (a), then lower the right end of the cartridge onto the image drum unit (b).



11. Pressing gently down on the cartridge to ensure that it is firmly seated, push the colored lever (1) towards the rear of the printer. This will lock the cartridge into place and release toner into the image drum unit.



12. Finally, close the top cover and press down firmly so that the cover latches closed.



# Image drum replacement

## WARNING!

If the printer has been powered on, the fuser will be hot. This area is clearly labelled. Do not touch.

Switch off the printer and allow the fuser to cool for about 10 minutes before opening the cover.

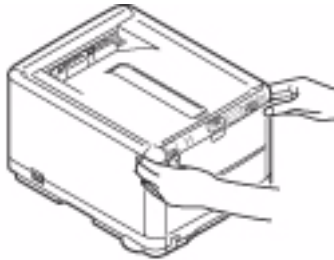
## CAUTION!



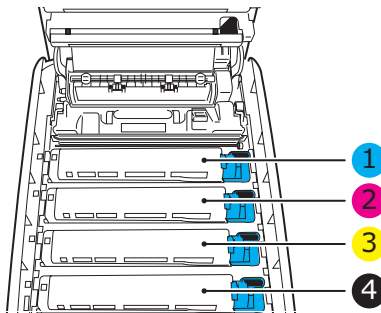
Static sensitive devices, handle with care.

The printer contains four image drums: cyan, magenta, yellow and black.

1. Press the cover release and open the printer's top cover fully.

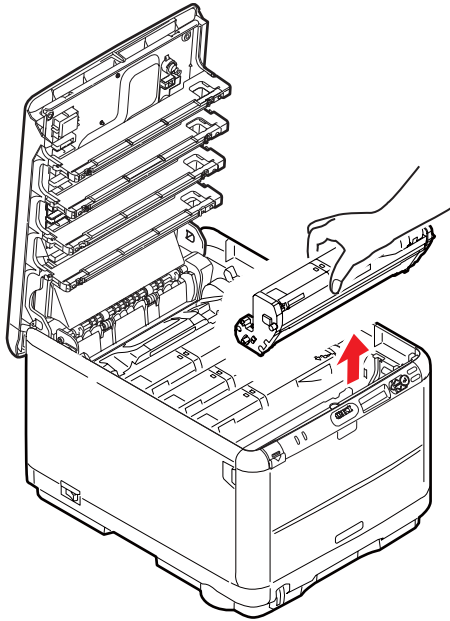


2. Note the positions of the 4 cartridges.



1. Cyan cartridge	2. Magenta cartridge
3. Yellow cartridge	4. Black cartridge

3. Holding it by its top center, lift the image drum, complete with its toner cartridge, up and out of the printer.

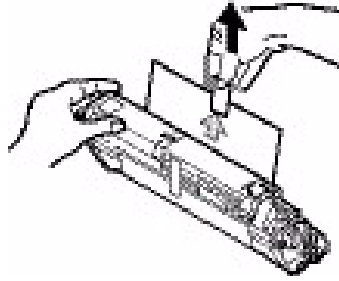


4. Put the old unit down gently onto a piece of paper to prevent toner from marking your furniture.
5. Take the new image drum unit, complete with toner cartridge (assembled according to the installation guide) and place it on the piece of paper where the old ID unit was placed.

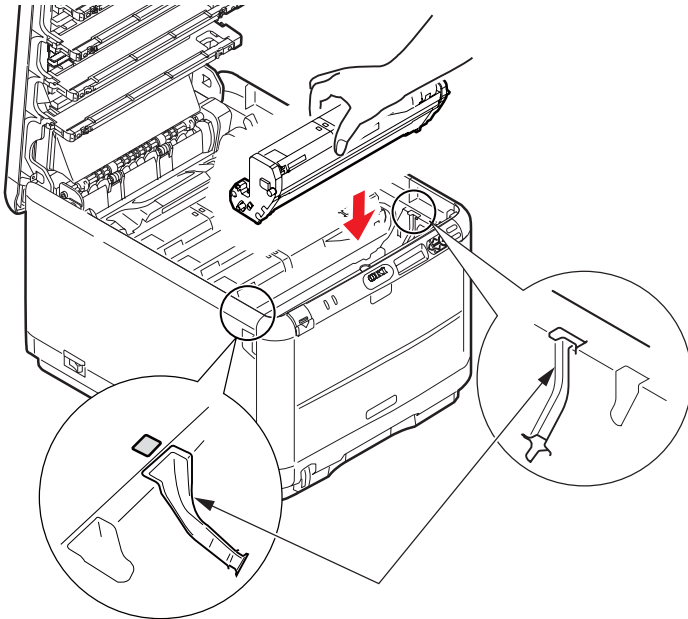
### CAUTION!

**The green image drum surface at the base of the cartridge is very delicate and light sensitive. Do not touch it and do not expose it to normal room light for more than 5 minutes. If the drum unit needs to be out of the printer for longer than this, please wrap the cartridge inside a black plastic bag to keep it away from light. Never expose the drum to direct sunlight or very bright room lighting.**

6. Remove the protective sheets from the image drum unit. Keep it the same way round as the old unit. Pack the old ID unit inside the packaging material for disposal.



7. Holding the complete assembly by its top center, lower it into place in the printer, locating the pegs at each end into their slots in the sides of the printer cavity.



8. Finally, close the top cover and press down firmly at both sides so that the cover latches closed.

---

*NOTE*

*If you need to return or transport your printer for any reason, please make sure you remove the image drum unit beforehand and place in the bag provided. This is to avoid toner spillage.*

---



# Replacing the belt unit

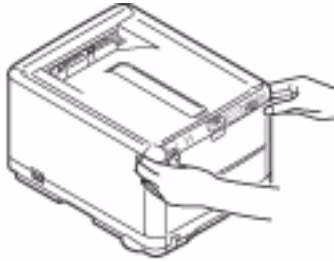
The belt unit is located under the four image drums. This unit requires replacement approximately every 60,000 pages.

## WARNING!

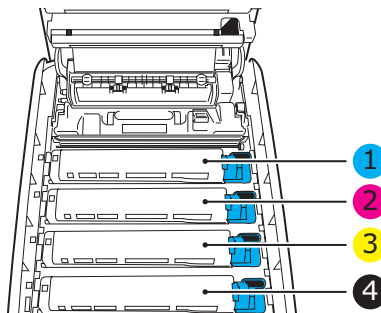
**If the printer has been powered on, the fuser will be hot. This area is clearly labelled. Do not touch.**

Switch off the printer and allow the fuser to cool for about 10 minutes before opening the cover.

1. Press the cover release and open the printer's top cover fully.



2. Note the positions of the 4 cartridges. It is essential that they go back in the same order.

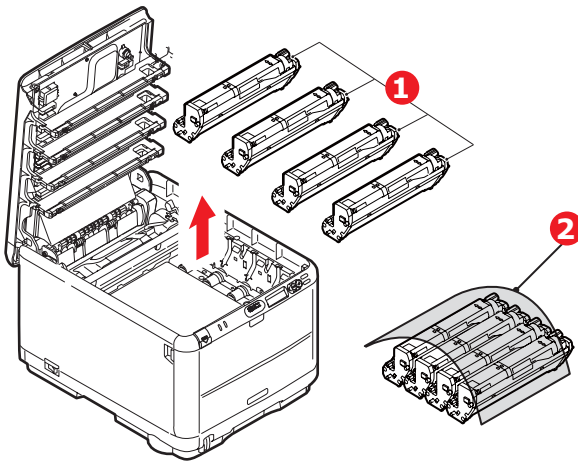


1. Cyan cartridge	2. Magenta cartridge
3. Yellow cartridge	4. Black cartridge

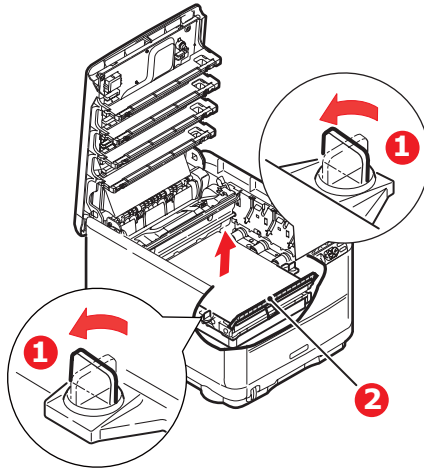
3. Lift each of the image drum units (1), starting from the rear, out of the printer and place them in a safe place away from direct sources of heat and light (2).

### CAUTION!

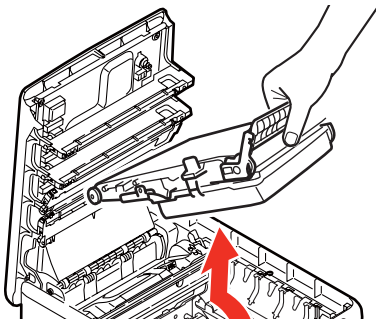
The green image drum surface at the base of each cartridge is very delicate and light sensitive. Do not touch it and do not expose it to normal room light for more than 5 minutes. If the drum unit needs to be out of the printer for longer than this, please wrap the cartridge inside a black plastic bag to keep it away from light. Never expose the drum to direct sunlight or very bright room lighting.



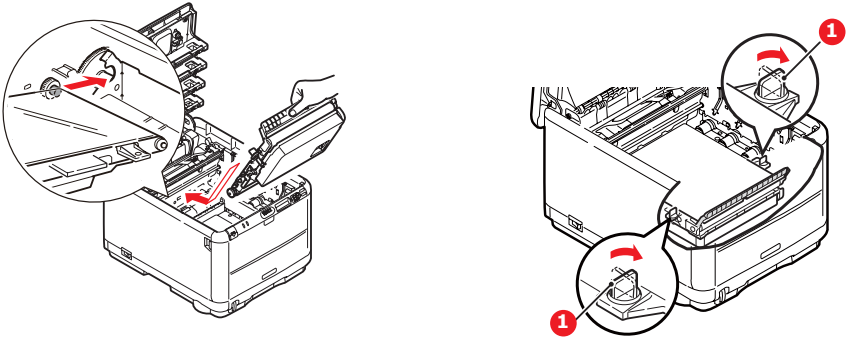
4. Locate the two fasteners (1) at each side of the belt and the lifting bar (2) at the front end.



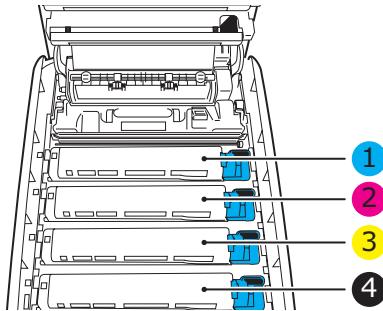
5. Turn the two fasteners (1) 90° to the left. This will release the belt from the printer chassis.
6. Pull the lifting bar (2) upwards so that belt tilts up towards the front, and withdraw the belt unit from the printer.



- 7.** Lower the new belt unit into place, with the lifting bar at the front and the drive gear towards the rear of the printer. Locate the drive gear into the gear inside the printer by the rear left corner of the unit, and lower the belt unit flat inside the printer. Turn the two fasteners (1) 90° to the right until they lock. This will secure the belt unit in place.



- 8.** Replace the 4 image drums, complete with their toner cartridges, into the printer in the correct positions as shown.



1. Cyan cartridge	2. Magenta cartridge
3. Yellow cartridge	4. Black cartridge

- 9.** Finally, close the top cover and press down firmly at both sides so that the cover latches closed.

# Fuser replacement

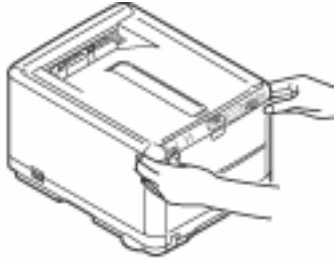
The fuser is located inside the printer just behind the four image drum units.

## WARNING!

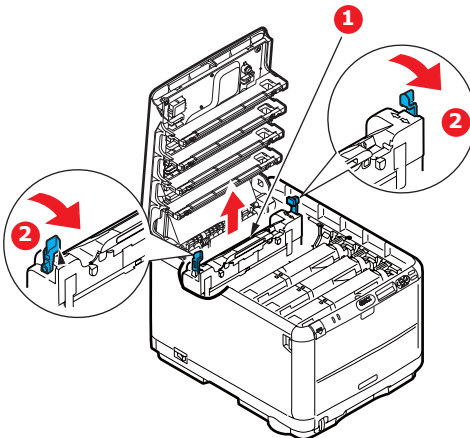
**If the printer has recently been powered on, some fuser components will be very hot. Handle the fuser with extreme care, holding it only by its handle, which will only be mildly warm to the touch. A warning label clearly indicates the area. If in doubt, switch the printer off and wait at least 10 minutes for the fuser to cool before opening the printer cover.**

Switch off the printer and allow the fuser to cool for about 10 minutes before opening the cover.

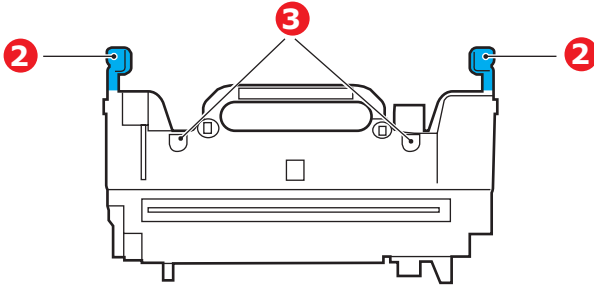
1. Press the cover release and open the printer's top cover fully.



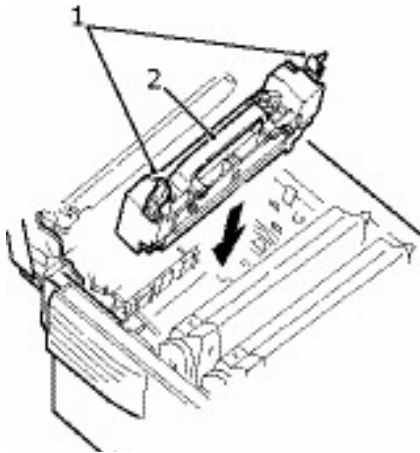
2. Identify the fuser handle (1) on the top of the fuser unit. Pull the two fuser retaining levers (2) towards the front of the printer so that they are fully upright.



3. Holding the fuser by its handle (1), lift the fuser straight up and out of the printer. If the fuser is still warm, place it on a flat surface which will not be damaged by heat.
4. Remove the new fuser from its packaging and remove the transit material.
5. Holding the new fuser by its handle, make sure that it is the correct way round. The retaining levers (2) should be fully upright, and the locating lugs (3) should be towards you. There is one locating lug at each end of the fuser.



6. Holding the fuser handle (2), lower the fuser into the printer, locating the two lugs into their slots in the metal partition which separates the fuser area from the image drums.

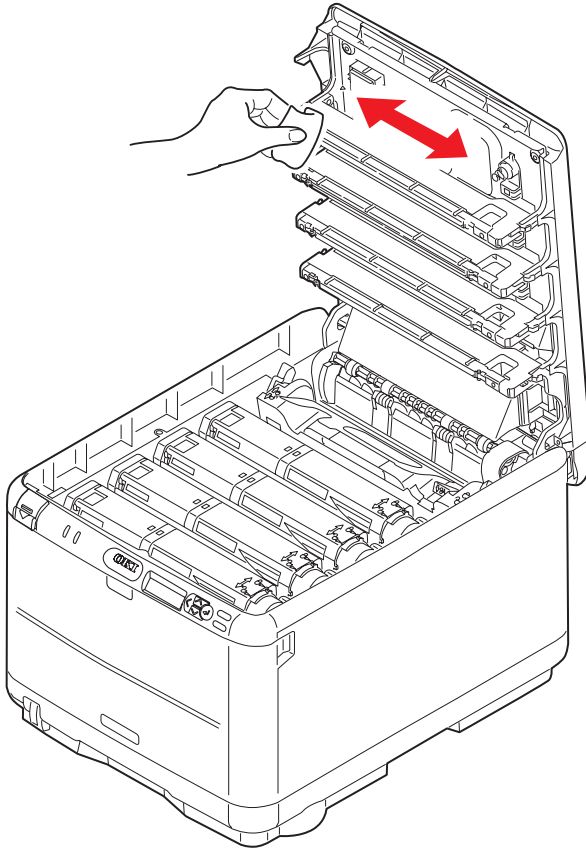


7. Push the two retaining levers (1) towards the rear of the printer to lock the fuser in place.
8. Finally, close the top cover and press down firmly at both sides so that the cover latches closed.

# Cleaning the LED head

Clean the LED head when printing does not come out clearly, has white lines or when text is blurred.

1. Switch off the printer and open the top cover.
2. Gently wipe the LED head surface with LED lens cleaner or soft tissue.



## CAUTION!

**Do not use methyl alcohol or other solvents on the LED head as damage to the lens surface will occur.**

3. Close the top cover.

# Installing additional memory

---

This section explains how to install additional RAM memory into your printer as a memory upgrade.

## Part Numbers

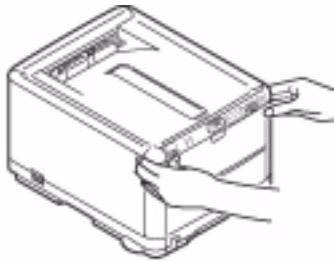
See “Part Numbers” on page 79.

## Memory upgrade

The basic printer model comes equipped with 128 MB of main memory. This can be upgraded with an additional memory board containing 256 MB or 512 MB, giving a maximum total memory capacity of 640 MB.

Installation takes a few minutes, and requires a medium size cross-head (Philips type) screwdriver.

1. Switch the printer off and disconnect the AC power cable.
2. Press the cover release and open the printer’s top cover fully.

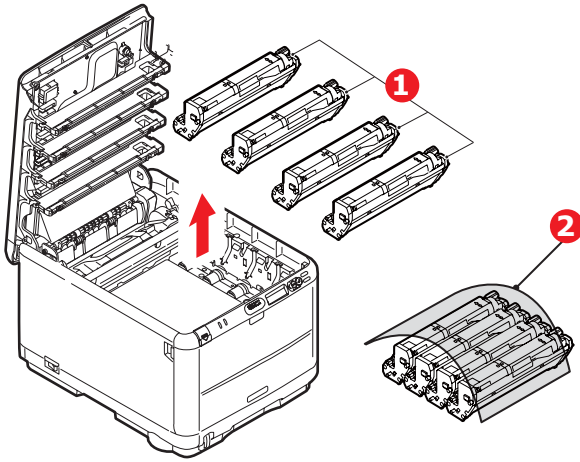


### **WARNING!**

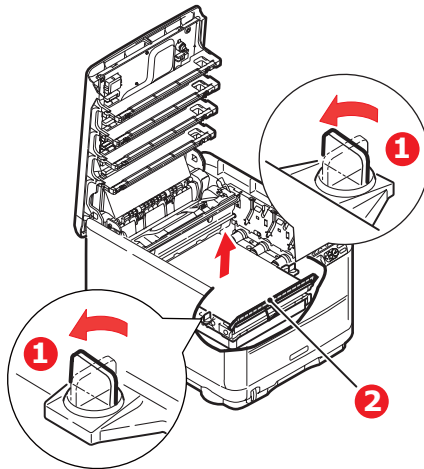
**If the printer has been powered on recently, the fuser will be hot. This area is clearly labelled. Do not touch.**



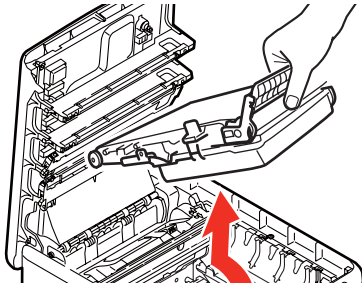
3. Remove each image drum units, starting with the front. Cover the image drum units to protect them from direct light



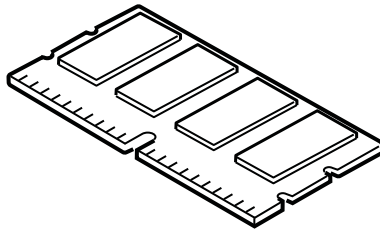
4. Locate the two fasteners (1) at each side of the belt and the lifting bar (2) at the front end.



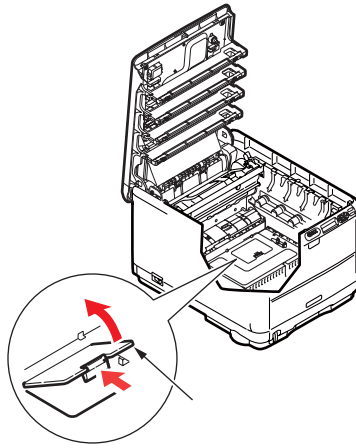
5. Unlock the fasteners and remove the belt as shown.



6. Carefully remove the new memory board from its wrapping. Try to handle the board only by its short edges, avoiding contact with any metal parts as far as possible. In particular, avoid touching the edge connector.
7. Notice that the memory board has a small cutout in the edge connector, which is closer to one end than the other.

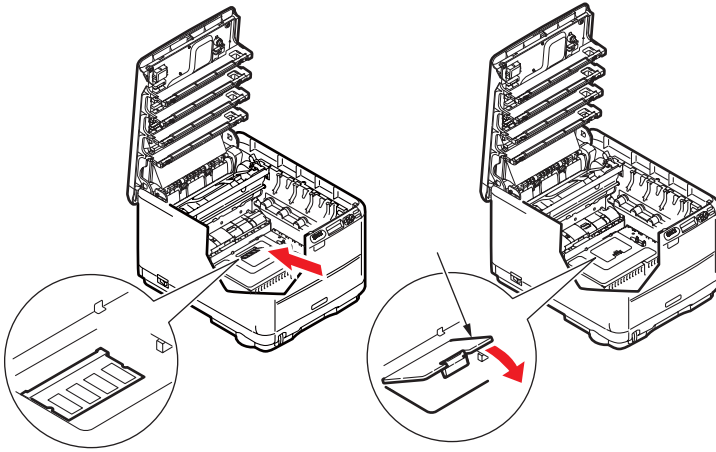


- 8.** Identify the RAM expansion slot in the printer. Unclip the plastic cover to open this slot.



- 9.** If the RAM expansion slot already contains a memory upgrade board, that board will have to be removed before you can install the new one. To remove it proceed as follows, otherwise skip to step 10.
- (a)** Identify the locking clips at each end of the RAM expansion slot.
  - (b)** Push the clips outward and back into the printer. The board will pop out slightly.
  - (c)** Grip the board firmly by its short edges and pull it out of the slot.
  - (d)** Place the removed memory board in the antistatic bag which originally contained the new memory board.
- 10.** Hold the new memory board by its short edges, so that the edge connector faces in towards the RAM expansion slot, and the small cutout is closer to the bottom of the printer.

11. Gently push the board into the RAM expansion slot until it latches in and will not go any further.



12. Close the RAM expansion slot.
13. Replace the belt and image drum units.  
See "Image drum replacement" on page 86.  
See "Replacing the belt unit" on page 89.
14. Close the top cover of the printer.
15. Reconnect the AC power cable and switch the printer on.
16. When the printer is ready, print a menu map using the Print Menu option on the printer's Information Menu.
17. Examine the first page of the menu map.

Near the top of the page, between the two horizontal lines, you will see the current printer configuration. This list contains the figure for total memory size.

This should indicate the total memory now installed, which should be the size of memory board you have installed plus 128 MB.

# Troubleshooting

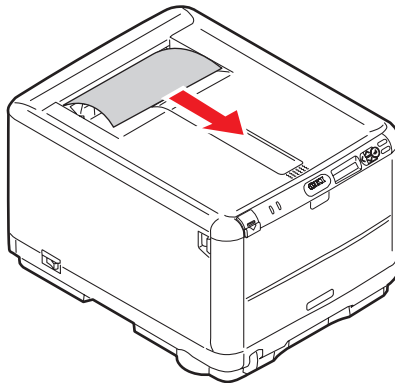
---

## Clearing paper jams

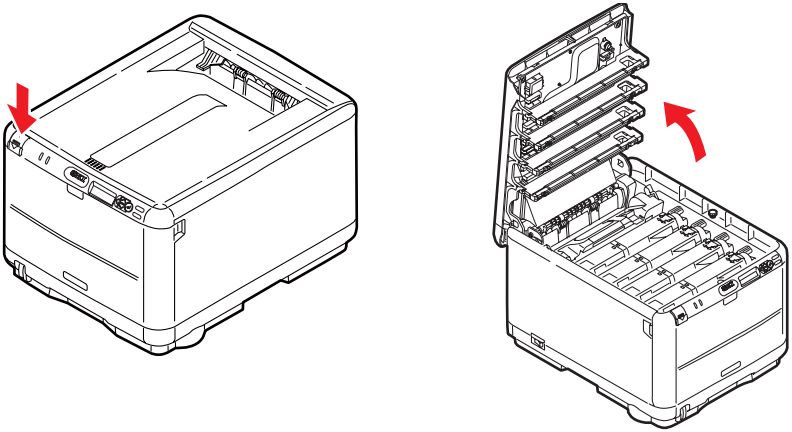
Provided that you follow the recommendations in this guide on use of print media, and you keep the media in good condition prior to use, your printer should give years of reliable service. However, paper jams occasionally do occur, and this section explains how to clear them quickly and simply.

Jams can occur due to paper misfeeding from a paper tray or at any point on the paper path through the printer. When a jam occurs, the printer immediately stops, and the ATTENTION LED on the Operation Panel (together with the LCD display) informs you of the event. If printing multiple pages (or copies), do not assume that, having cleared an obvious sheet, others will not also be stopped somewhere along the path. These must also be removed in order to clear the jam fully and restore normal operation.

1. If a sheet is well advanced out of the top of the printer, simply grip it and pull gently to draw it fully out. If it does not remove easily, do not use excessive force. It can be removed from the rear later.



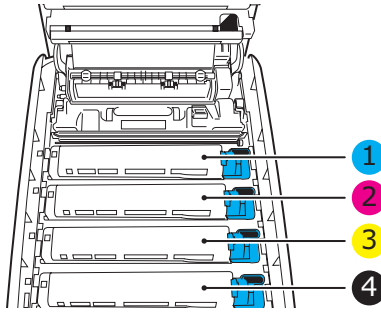
2. Press the cover release and open the printer's top cover fully.



**WARNING!**

**If the printer has been powered on, the fuser will be hot. This area is clearly labelled. Do not touch.**

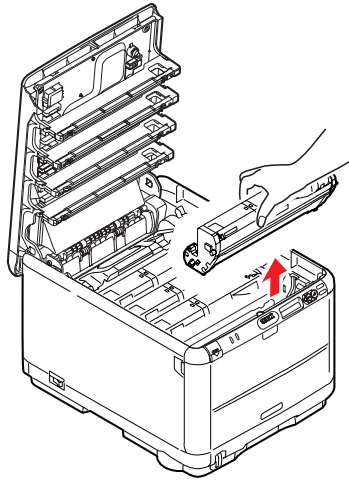
3. Note the positions of the 4 cartridges.



1. Cyan cartridge	2. Magenta cartridge
3. Yellow cartridge	4. Black cartridge

It will be necessary to remove the four image drums to gain access to the paper path.

4. Holding it by its top center, lift the cyan image drum, complete with its toner cartridge (1), up and out of the printer.

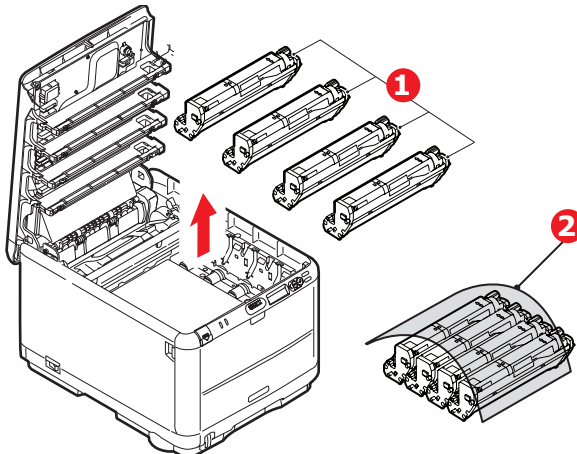


5. Put the cartridge down gently onto a piece of paper to prevent toner from marking your furniture and to avoid damaging the green drum surface.

### CAUTION!

**The green image drum surface at the base of the cartridge is very delicate and light sensitive. Do not touch it and do not expose it to normal room light for more than 5 minutes.**

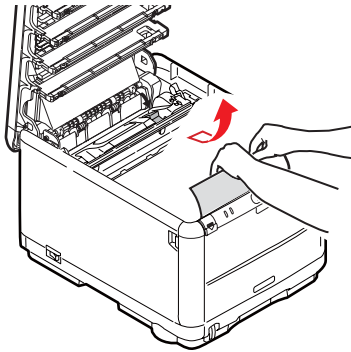
6. Repeat this removal procedure for each of the remaining image drum units. Cover the image drum units to protect them from direct light.



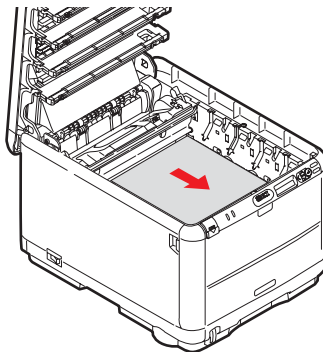
7. Look into the printer to check whether any sheets of paper are visible on any part of the belt unit.
8. Remove any sheets of paper as follows:
  - To remove a sheet with its leading edge at the front of the belt, carefully lift the sheet from the belt and pull it forwards into the internal drum cavity and withdraw the sheet.

**CAUTION!**

**Do not use any sharp or abrasive objects to separate sheets from the belt. This may damage the belt surface.**

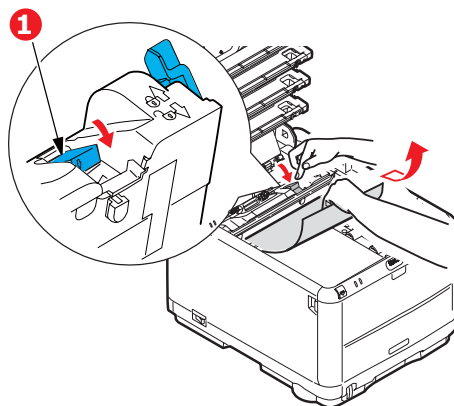


- To remove a sheet from the central area of the belt, carefully separate the sheet from the belt surface and withdraw the sheet.





- To remove a sheet just entering the fuser, separate the trailing edge of the sheet from the belt, push the fuser pressure release lever (1) towards the front and down to release the fuser's grip on the sheet, and withdraw the sheet through the drum cavity area. Then allow the pressure release lever to rise again.



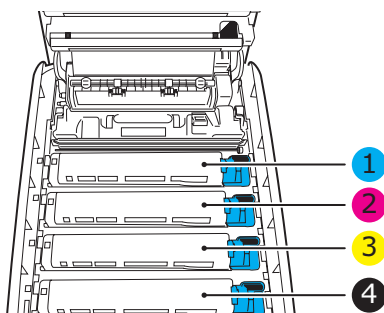

---

**NOTE**

*If the sheet is well advanced into the fuser (only a short length is still visible), do not attempt to pull it back. Follow the next step to remove it from the rear of the printer.*

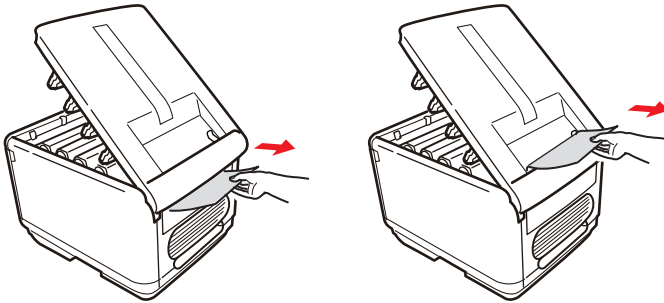
---

- Starting with the cyan image drum unit nearest the fuser, replace the four image drums into the drum cavity, making sure to locate them in the correct order.

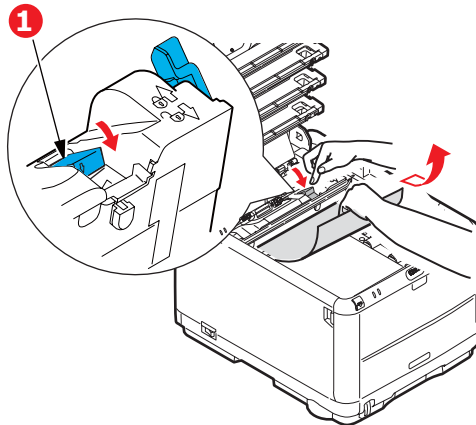


1. Cyan cartridge	2. Magenta cartridge
3. Yellow cartridge	4. Black cartridge

- Holding the complete assembly by its top center, lower it into place in the printer, locating the pegs at each end into their slots in the sides of the printer cavity.
- 10.** Lower the top cover but do not press down to latch it closed yet. This will protect the drums from excessive exposure to room lighting while you check the remaining areas for jammed sheets.
  - 11.** Open the rear stacker and check for a sheet of paper in the rear path area.

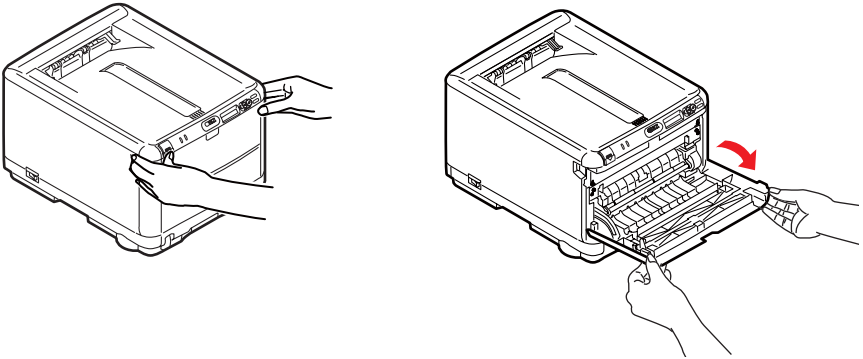


- Pull out any sheets found in this area.
- If the sheet is low down in this area and difficult to remove, it is probably still gripped by the fuser. In this case raise the top cover, reach around and press down on the fuser pressure release lever (1).

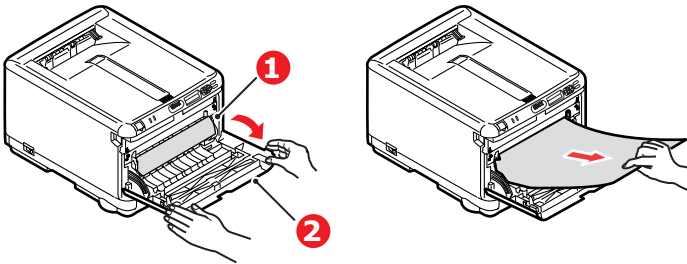


- 12.** If you are not using the rear stacker, close it once paper has been removed from this area.

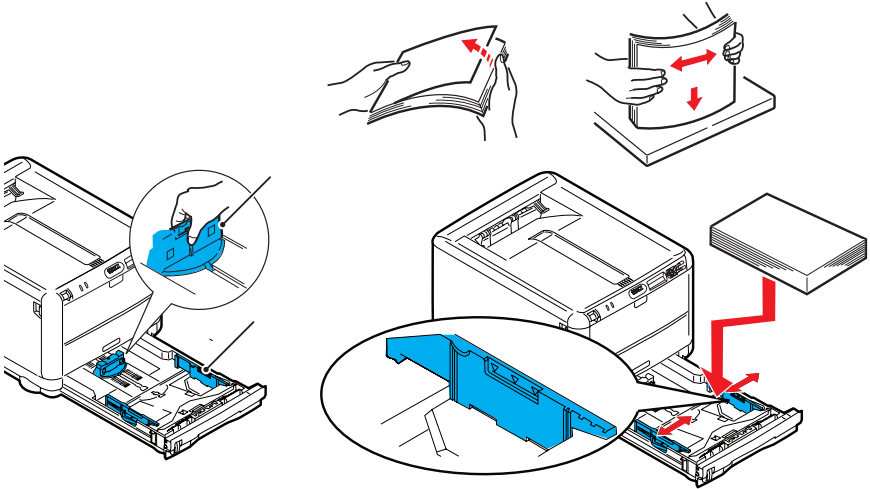
- 13.** Press the front cover release and pull open the front cover.



- 14.** Check inside the cover for sheets in this area and remove any that you find, then close the cover.



- 15.** Pull out the Cassette Tray and ensure that all paper is stacked properly, is undamaged, and that the paper guides are properly positioned against the edges of the paper stack. When satisfied, replace the tray.



- 16.** Finally, close the top cover and press down firmly at both sides so that the cover latches closed.

When the jam has been cleared, if Jam Recovery is set to ON in the System Configuration Menu, the printer will attempt to reprint any pages lost due to paper jams.

# Error Messages

Error messages are displayed on the printer's 2-line LCD. The bottom line shows the Error Code number.

ERROR MESSAGES		
ERROR CODE	LCD 2-LINE STATUS MESSAGE	EXPLANATION
<i>none</i>	DOWNLOAD MESSAGE FAILED <n>	Indicates that writing of message data to be uploaded has failed. The indicated code is a decimal value (one digit) and represents the cause of the failure: 1 = Unknown cause 2 = Data Error; Hash check error in data reading/writing or abnormal FLASH 3 = Overflow; Downloading failure due to FLASH memory full at starting or during writing 4 = Memory Full; Memory reservation failure 5 = Unsupported Data; Downloaded data unsupported on the printer
310	CLOSE COVER 310: COVER OPEN	The printer's top cover is open.
311	CLOSE COVER 311: COVER OPEN	The printer's front cover is open.
320	CHECK FUSER 320: FUSER MISSING	The fuser unit is not installed correctly.
330	CHECK BELT 330: BELT MISSING	The belt unit is not installed correctly.
340 341 342 343	CHECK IMAGE DRUM <nnn>:<a> DRUM MISSING	An image drum is not installed correctly: 340:Y = Yellow; 341:M = Magenta; 342:C = Cyan; 343:K = Black
350 351 352 353	REPLACE IMAGE DRUM <nnn>:<a> DRUM MISSING	An image drum needs to be replaced: 350:Y = Yellow; 351:M = Magenta; 352:C = Cyan; 353:K = Black
354	REPLACE FUSER 354: FUSER LIFE	Based on the counter, the fuser needs to be replaced. Printing will stop.
355	REPLACE BELT 355: BELT LIFE	Based on the counter, the transfer belt needs to be replaced. Printing will stop.

ERROR MESSAGES		
ERROR CODE	LCD 2-LINE STATUS MESSAGE	EXPLANATION
356	REPLACE BELT 356: BELT LIFE	Indicates waste toner is full. Warning status takes effect only once: at Cover Open/Close; the error occurs again when about 500 copies have been printed.
380	OPEN FRONT COVER 380: PAPER JAM	A jam in the paper path (feed).
381 382 385 389	OPEN TOP COVER <nnn>: PAPER JAM	A jam in the paper path at the following location: 381: Transport 382: Exit 385: Around fuser unit 389: Printing page lost
390	CHECK MANUAL 390: PAPER JAM	A paper jam has occurred during paper feeding from the manual (MPT) tray.
391	OPEN FRONT COVER 391: PAPER JAM	A paper jam has occurred during paper feeding from the tray.
400	OPEN FRONT COVER 400: PAPER SIZE ERROR	An inappropriate size paper was fed from a tray. Check the paper in the tray or check for multiple feeds. Open and close the front cover.
410 411 412 413	REPLACE TONER <nnn>: <a> TONER EMPTY	A toner cartridge is empty: 410:Y = Yellow; 411:M = Magenta; 412:C = Cyan; 413:K = Black
415 416	REPLACE TONER <nnn>: <a> WASTE TONER FULL	The indicated waste toner box is full and must be replaced: 415:M = Magenta; 416:C = Cyan (Does not occur for Yellow or Black)
420	ADD MORE MEMORY 420: MEMORY OVERFLOW	Memory capacity has been exceeded due to one of the following: - Too much print data in a page. - Too much Macro data. - Too much DLL data.  Press the ON LINE switch and decrease the amount of data sent to the printer or install expansion RAM.
461	LOAD <media size/ media type> AND PRESS ONLINE SWITCH 461: <tray> MEDIA MISMATCH	The media type in the tray and the print data do not match. Load the type of media specified in the print data and press the ON LINE switch.

ERROR MESSAGES		
ERROR CODE	LCD 2-LINE STATUS MESSAGE	EXPLANATION
491	LOAD <media-size> 491: <tray> EMPTY	The requested print tray is empty. Load paper.
540 541 542 543	CHECK TONER CARTRIDGE <nnn>:<a> TONER SENSOR ERROR	Something is wrong with a toner sensor: 540:Y = Yellow; 541:M = Magenta; 542:C = Cyan; 543:K = Black
544 545 546 547	CHECK TONER CARTRIDGE <nnn>:<a> IMPROPER LOCK LEVER POSITION	A toner cartridge has not been locked: 544:Y = Yellow; 545:M = Magenta; 546:C = Cyan; 547:K = Black
550 551 552 553	GENUINE TONER IS RECOMMENDED <nnn>:<a> NON GENUINE <color> TONER	The signature ID of a toner cartridge can not be recognized (i.e., toner is from an unauthorized third party): 550:Y = Yellow; 551:M = Magenta; 552:C = Cyan; 553:K = Black
554 555 556 557	REPLACE TONER <nnn>:<a> TONER REGIONAL MISMATCH	The signature ID of a toner cartridge is not correct for the distribution channel, but the group signature ID is correct (OKI regional mismatch): 554:Y = Yellow; 555:M = Magenta; 556:C = Cyan; 557:K = Black
560 561 562 563	REPLACE IMAGE DRUM <nnn>:<a> DRUM LIFE	A "toner empty" error occurred after an image drum reached the end of its life: 560:Y = Yellow; 561:M = Magenta; 562:C = Cyan; 563:K = Black
610 611 612 613	INSTALL TONER <nnn>:<a> TONER MISSING	A toner cartridge is not installed: 610:Y = Yellow; 611:M = Magenta; 612:C = Cyan; 613:K = Black
614 615 616 617	REPLACE TONER <nnn>: INCOMPATIBLE <a> TONER	The signature ID of a toner cartridge is not correct for the distribution channel (OEM mismatch): 614:Y = Yellow; 615:M = Magenta; 616:C = Cyan; 617:K = Black
620 621 622 623	REPLACE TONER <nnn>: INCOMPATIBLE <a> TONER	The signature ID of a toner cartridge is not correct for the distribution channel (OEM mismatch): 620:Y = Yellow; 621:M = Magenta; 622:C = Cyan; 623:K = Black
<i>various</i>	SERVICE CALL <nnn>: FATAL ERROR	A fatal error occurred. The number specifies the cause of the error. Fatal errors require a Service Call.

# Specifications

ITEM	SPECIFICATION
Dimensions	14.8 x 18.86" x 11.42" (W x D x H) 376 x 479 x 290mm (W x D x H)
Weight	46.3 lbs. (21 Kg) approximately
Print speeds	16 pages per minute color 20 pages per minute monochrome
Resolution	600 x 600 dpi 1200 x 600 dpi 600 x 600 dpi x 2 bit
Emulations	Windows GDI, Direct Raster, PostScript3, PCL 5C, HP-GL, PCL XL, PCL 6e, Epson FX, IBM ProPrinter III XL
Auto Features	Auto registration Auto density adjustment Auto consumable counter reset
Memory	128 MB standard (upgradable to 256 MB or 512 MB)
Operating Platform	Windows, Macintosh
Paper capacity	250 sheets in the Cassette Tray 20 lb. 80 g/m <sup>2</sup> 1 sheet in Multi Purpose Tray
Paper weight	Standard Printing Cassette Tray 17 ~ 32 lb. 64 ~ 120 g/m <sup>2</sup> Multi Purpose Tray 20 ~ 54 lb. 75 ~ 203 g/m <sup>2</sup> 2 Sided (Manual Duplex) Printing Cassette Tray 17 ~ 28 lb. 64 ~ 120 g/m <sup>2</sup> Multi Purpose Tray 20 lb. ~ 28 lb. 75 ~ 105 g/m <sup>2</sup>
Paper output	Face down (top) stacker: 150 sheets 20 lb. (64 - 120 g/m <sup>2</sup> ) 80 g/m <sup>2</sup> Face up (rear) stacker: 1 sheet (64 - 203 g/m <sup>2</sup> )
Printer life	300,000 pages or 5 years
Duty cycle	35,000 pages per month maximum or 5,000 average



ITEM	SPECIFICATION
Toner life	<i>Standard cartridge (at 5% coverage)</i> C, M, Y: approximately 2,000 pages B: approximately 2,500 pages
Image drum life	15,000 pages at 3 pages per job
Belt life	50,000 letter-size pages
Fuser life	50,000 letter-size pages

# Utilities

---

## Overview

---

The following utilities are available for your printer.

- Color Correction Utility
- Color Swatch Utility
- Direct Network Printing Utility (LPR)
- Network Print Status Utility
- Network Setup Utility
- Print Job Accounting Utility
- Operator Panel Language Set-up Utility
- PrintSuperVision
- Web Driver Installer

## Accessing

---

You can access the utilities two ways:

- via the CD shipped with the printer
- via a download from the internet, accessed through the Menu Installer on the CD

Here is a list of the utilities provided on the CD shipped with your printer.

- Color Correction Utility
- Color Swatch Utility
- Direct Network Printing Utility (LPR)
- Network Print Status Utility
- Network Setup Utility
- Operator Panel Language Set-up Utility

Here is a list of the utilities provided via download.

- Print Job Accounting Utility
- PrintSuperVision
- Web Driver Installer

# Description of Utilities ---

## 1. **Color Correction Utility**

This utility allows you to fine tune the printer's color settings and save them for future use.

"Color Correction Utility" on page 118.

## 2. **Color Swatch Utility**

This utility allows you to print color samples or swatches on your color printer. The swatches are used with your software program to select and reproduce color accurately. The swatches represent selected samples of the your printer's color palette and can be used to find the desired colors for your printed documents.

"Color Swatch Utility" on page 131.

## 3. **Direct Network Printing Utility (LPR)**

The Direct Network Printing Utility (LPR) allows you to print directly to a printer on the network without a print server. It creates a Printer Port, and installs a pop-up status box so you can monitor printer status.

The Direct Network Printing Utility (LPR) operates in Windows Me/98, Windows NT 4.0, Windows 2000, and Windows XP operating systems.

"Direct Network Printing Utility (LPR)" on page 135.

## 4. **Network Print Status Utility**

This utility allows you to view (but not change) the status of the following on the Status tab:

- paper trays installed and the media assigned to them.
- total size and percentage used of disk/memory.
- percentage of toner remaining.

"Network Printer Status Utility" on page 137.

## 5. **Network Setup Utility**

This utility provides an easy way to configure your printer on a network.

See the online Network User's Guide for details on how to use this utility. "Network Setup Utility" on page 141.

## **6. Print Job Accounting Utility**

The Print Job Accounting software, designed specifically for OKI printers in a network environment, provides job accounting features that allow you to track printer usage, calculate printing costs, and specify access available to each client (user).

## **7. Operator Panel Language Set-up Utility**

The Operator Panel Language Setup utility changes the language on the printer's LCD display panel. The utility is on the CD-ROM that comes with your printer. For more information about the utilities, see "Overview" on page 114.

Follow the steps in the setup utility to select the 3600n printer and the desired language. To complete the language setup, re-start your printer (i.e., turn it off and then on).

## **8. PrintSuperVision**

PrintSuperVision is a web-based application for managing printing devices connected to a network. PrintSuperVision provides access to networked printer data for monitoring, reporting and managing networked printers. It provides a full range of management functions for OKI printers, and for other brands of printers as well.

## **9. Web Driver Installer**

This utility is a web-based application. It automates tasks for a network administrator.

- Discovering printers connected to a TCP/IP network
- Displaying discovered printers on a web page
- Sending users e-mail notification of the URL that permits the downloading of printer driver installation programs for discovered printers.

Administrators can use this utility to manage printers and users organized in groups, such as departments or floors.

# Installing the Utilities ---

## Windows

### Utilities on the CD

Load the utilities from the Menu Installer located on the CD supplied with your printer.

### Download Utilities

Download the utilities from the internet, accessed through the Menu Installer on the CD.

## Macintosh OS 9.x

### Utilities on the CD

1. Insert the CD supplied with your printer into the CD-ROM drive.
2. Double-click the CD icon that appears on the desktop.
3. Open the MAC folder.
4. Click PSDRV → English. Double click the Mac Installer icon.
5. Click Continue. Accept the Software License Agreement.
6. Select Custom Install to access the Utility Installation.
7. Click the boxes beside the Utilities you wish to install. Click Install.

*The Utilities install into the folder you specify during the installation process.*

### Download Utilities

Download the utilities from the internet, accessed through the Menu Installer on the CD.

## Macintosh OS 10.1, 10.2, and 10.3

### Utilities on the CD

The utilities on the CD are not available for Mac OS X and will only run on Mac 9.x or Classic OS.

Once the Print Job Accounting utility has been set up by your Network Administrator, it is transparent to the operation of the printer driver on your OS X system.

### Download Utilities

Download the utilities from the internet, accessed through the Menu Installer on the CD.

# Color Correction Utility ---

## General Information

This utility allows you to fine tune the printer's color settings and save them for future use.

The Color Correct Utility is the best choice for working with Microsoft Excel or Word.

You can use the Color Correct Utility to:

- Change the Pallete Color: see page 119
- Adjust the Gamma Value and Hue: see page 127

## How to Install

Load this program from the Menu Installer located on the CD.

## Additional Information

For more information, see the on-line help in the utility.

# Change the Pallete Color

## General Information

### *NOTES*

*This feature is not available for Windows Me/98.*

*This feature is not available for shared printers.*

*When test printing, use paper larger than B5 size.*

There are four steps in changing the Pallete Color.

1. Print the Sample Color Chart.  
See page 120.
2. Print the Color Adjustment Chart.  
See page 121.
3. Make the adjustments. Save the adjustments, using a name you select.  
See page 123.
4. When printing a document, select the name of the saved adjustment settings.  
See page 126.

## Change the Pallete Color

### Step 1: Print the Sample Color Chart

1. Click Start → Programs → All Applications.  
Windows XP  
Click Start → Programs → Okidata → Color Correct Utility → Color Adjustment Utility.
2. Select Adjust Pallete Color. Click Next.
3. The Select Printer screen appears. Select the printer you are using. Click Next.  
The Color Correct Utility starts.  
Installed printer drivers display. You must setup each driver.
4. The Select Setting screen appears. From the list, select the desired setting. Click Sample Print.
5. The Sample Color Chart prints.

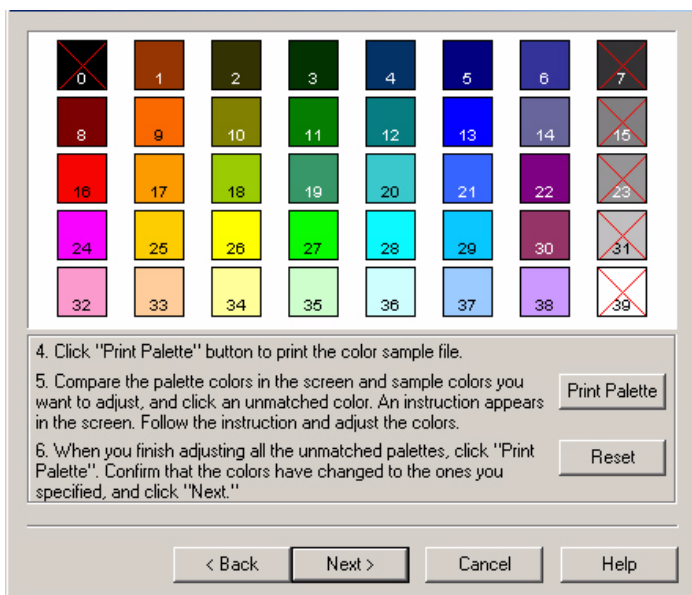


## Change the Palette Color

### Step 2: Print the Color Adjustment Chart

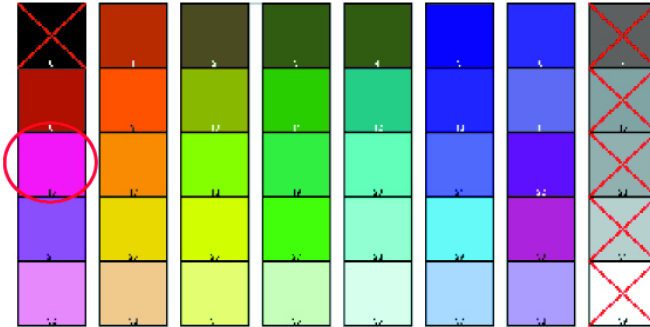
First, you must perform the steps in "Step 1: Print the Sample Color Chart" see page 120.

- Click Next.
- The Palette Color Matching screen appears.



8. Click Test print.

The Color Adjustment Chart prints.



9. Compare the printed Color Adjustment Chart to the Palette Color Matching screen.

If the printed colors do not match the screen, perform an adjustment.

You cannot adjust colors marked with an X.

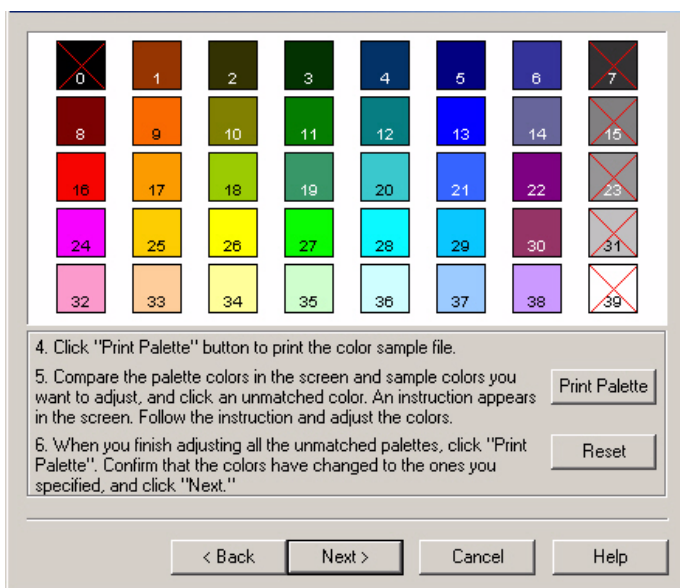
## Change the Palette Color

### Step 3: Make the adjustments and save the settings

First, you must perform the steps in "Step 1: Print the Sample Color Chart" see page 120 and "Step 2: Print the Color Adjustment Chart" see page 121.

When making the adjustments, you are obtaining the best possible match between the values for Hue and Brightness on your Sample Color Chart and the Palette Color Matching screen.

10. On the Palette Color Matching screen, click the color you want to adjust.



11. The Enter Adjustment Value screen appears.

View the pull down menus for the Hue (X) and Brightness (Y) values.

You are finding the available ranges for both Hue (X) and Brightness (Y).

The available ranges (values) vary according to color.

12. Use the Sample Color Chart.

Find the color you want to adjust.

Locate the desired color within the identified available ranges (values) from Step 10.

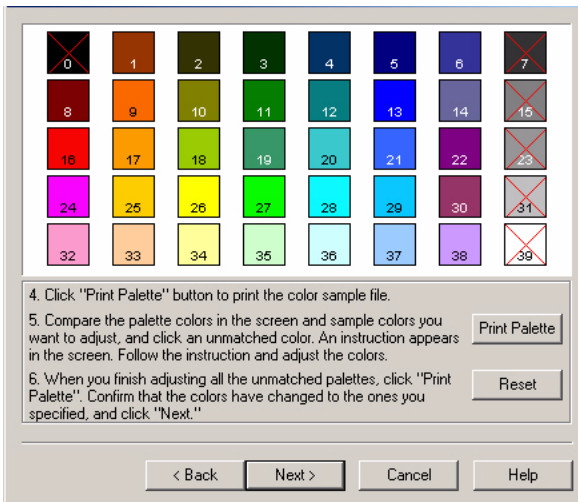
Find the values for both Hue (X) and Brightness (Y)

13. On the Palette Color Matching screen, click the color you want to adjust.

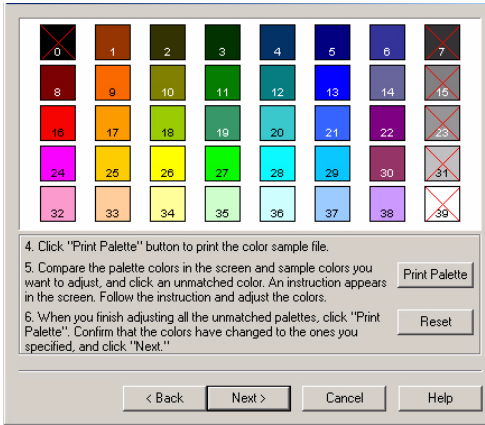
The Enter Adjustment Value screen appears.

View the pull down menus for the Hue (X) and Brightness (Y) values.

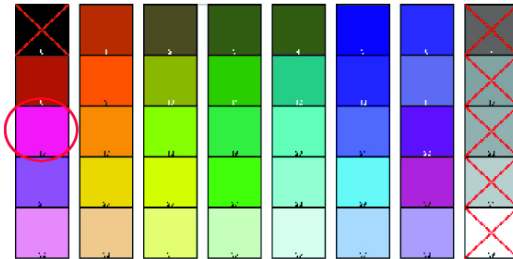
Adjust the values for Hue and Brightness to match the values from Step 11.



14. Click OK.
15. The Palette Color Matching screen appears.



16. Click Test Print.  
The Color Adjustment Chart prints.



17. Compare the printed Color Adjustment Chart to the Palette Color Matching screen.  
If you are satisfied with the comparison, go to step 17.  
If you are not satisfied, repeat steps 10 through 16.
18. If you have another color you want to adjust, repeat 10 through 16.
19. When you have finished adjusting all desired colors, click Next.
20. Enter the setting name. Remember the name for future use.
21. Click Save.
22. Click OK.

## **Change the Pallete Color**

### **Step 4: Use the saved settings to print a document**

#### **Windows**

1. Open the file you want to print.
2. Click File → Print.
3. In the Print dialog box, select your printer.
4. Next:
  - Windows XP: Click Properties. Click Advanced.
  - Windows 2000: go to the next step.
5. On the Color tab, under Color Mode, under User Setting, select the Color Matching name you created using the Color Correct Utility
6. Click OK.
7. Print the document.

# Adjust the Gamma Value and Hue

## General Information

### *NOTES*

*This feature is not available for Windows Me/98.*

*This feature is not available for shared printers.*

*When test printing, use paper larger than B5 size.*

*You must have Administrator authority when setting up a network connection in Windows XP/2000/NT4.0/Server 2003.*

1. Click Start → Programs → All Applications.
2. Your action depends on your operating system.  
Windows XP: Click Okidata → Color Correct Utility → All Applications.  
Windows 2000: Go to the next step.
3. Select Correct gamma and hue.
4. Click Next.
5. The “Select printer” screen appears. Select the printer you want to adjust.
6. Click Next.
7. The Color Correct Utility starts.  
The installed printer drivers display.  
You must setup the Color Correct Utility for each driver.
8. In the list box, select the mode.
9. Click Next.

10. Change the slide bar values of gamma, hue, brightness, and saturation to adjust the color.

*Use primary colors of ink*

Select this to adjust the settings to the standard hues for the printer.

<b>Hue</b>	<b>Toner printing</b>
R (Red)	50% yellow and 50% magenta
Y (Yellow)	100% yellow
G (Green)	50% cyan and 50% yellow
C (Cyan)	100% cyan
B (Blue)	50% magenta and 50% cyan
M (Magenta)	100% magenta

The Gamma slide bar adjusts *total* brightness.

The Hue/Brightness slide bar adjusts output color.

Use the printer color buttons to switch to a different color.

*Brightness*

For Brighter color, slide the Gamma bar to the *left*.

*Hue*

Adjustments are made relative to positions on the color wheel.

Move forward = + (counter-clockwise)

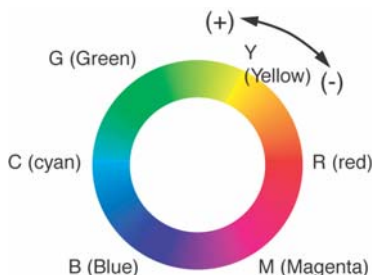
Move backward = - (clockwise)



Example: adjust the Y (yellow) slide bar:

Move forward = + (counter-clockwise), the color becomes more green.

Move backward = - (clockwise), the color becomes more red.



11. Click Test Print.
12. The Adjustment Confirmation Sample prints.
13. If the sample meets your requirements, click Set.

If the sample does not meet your requirements, repeat Steps 10 – 12 until your requirements are met. Then, click Set.

14. Click Save.
15. Enter the setting name.
16. Click OK.
17. Click OK.

*NOTE*

*When you update or reinstall a printer driver, the Color Correct Utility reloads the created Color Matching names. Make sure that the Color Matching names appear in the [Setting Selection]. Click Complete.*

18. Click Complete to exit the Color Correct Utility.
19. When printing a document, select the setting name.

# Adjusting the Gamma Value and Hue

## Use the saved settings to print a document

### Windows

1. Open the file you want to print.
2. Click File → Print.
3. In the Print dialog box, select your printer.
4. Next:  
Windows XP: Click Properties. Click Advanced.  
Windows 2000: Go to the next step.
5. On the Color tab, under Color Mode, under User Setting, select the Color Matching name you created using the Color Correct Utility.

*NOTE*

*When you update or reinstall a printer driver, the Color Correct Utility reloads the created Color Matching names. Make sure that the Color Matching names appear in the [Setting Selection]. Click End.*

6. Click OK.
7. Print the document.

# Color Swatch Utility

---

## General Information

The Color Swatch Utility allows you to

- print color samples (swatches) on your color printer.
- create custom color swatches

The swatches are used with your software program to select and reproduce color accurately.

The swatches represent selected samples of the printer's color palette. Use the swatches to find the desired colors for your printed documents.

*NOTE*

- **The Swatch Utility does not guarantee that the printer prints the same color as displayed on your monitor. Consider the displayed color as a reference.**
- **The printer may not be able to print the exact color that you desire.**
- **Your software may not be able to match colors using the swatch information. You may need to use other matching methods.**
- **The color swatch samples do not show all the colors your printer can print.**
- **Other factors influence how you see color: the color and finish of the paper, ambient light, even the color surrounding the one you are looking at.**

## How to Install

Load this program from the Menu Installer located on the CD.

## Additional Information

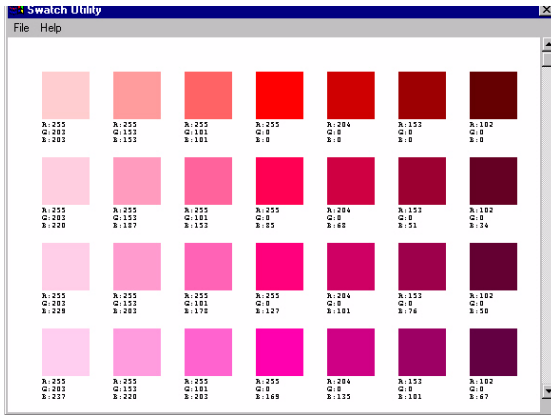
For additional information, see the Swatch Utility Read-me file located in the Windows Programs list.

## Printing Color Swatches

*NOTE*

- **The color swatch samples do not show all the colors your printer can print.**
- **The Swatch Utility does not guarantee that the printer prints the same color as displayed on your monitor. Consider the displayed color as a reference.**
- **The printer may not be able to print the exact color that you desire.**

1. Install the utility from the CD using the Menu Installer (Windows).
2. Click Start → Programs → Color Swatch → Color Swatch Utility.
3. A swatch page displays, showing commonly used colors.
4. Select print to print sample pages.



- Use the color blocks to pick the specific colors that you want to appear in your printed document.

Each color block, or sample, is identified with information your software package needs to reproduce that color accurately.

The numbers under each block specify the amounts of the primary colors—red (R), green (G), and blue (B)—that mix to form each particular shade.

The amounts are given as a numerical value between 0 and 255.

## Creating Custom Swatch Colors

*NOTE*

*The Swatch Utility does not guarantee that the printer prints the same color as displayed on your monitor. Consider the displayed color as a reference.*

*The printer may not be able to print the exact color that you desire.*

If you don't find your desired color, you can create or customize colors:

1. Select Custom Swatch from the File menu.
2. On the pop-up window, there are 3 slide bars that allow you to customize swatches:
  - Hue bar changes the hue of the swatches, for example, red to green or blue to yellow.
  - Saturation bar changes vividness.
  - Lightness bar changes darkness.
3. Adjust the bars until you see the desired color.

Color variations are created to help you find the best match.
4. Click OK.
5. Print the custom swatch page.
6. Repeat these steps until you find the desired printed color.
7. For additional information, see the Swatch Utility Read-me file located in the Windows Programs list.

The file includes:

- Applying Color Value in your Application
- Setting Monitor Color

# Direct Network Printing Utility (LPR) \_\_\_\_\_

## General Information

The Direct Network Printing Utility (LPR) allows you to print directly to a printer on the network without a print server. It creates a Printer Port, and installs a pop-up status box so you can monitor printer status.

The Direct Network Printing Utility (LPR) operates in Windows Me/98, Windows NT 4.0, Windows 2000, and Windows XP operating systems.

Load this program from the Menu Installer located the CD.

## How to Install

The Direct Network Printing Utility (LPR) supports TCP/IP. Your network administrator will first need to set up an IP address and TCP/IP properties for your printer.

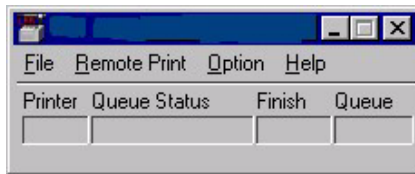
Your network administrator may have already installed this software. If you need to install it manually, load it from the Menu Installer on the CD:

1. Place the CD supplied with your printer in your CD-ROM drive. Wait for the Menu Installer to open.

*If the CD does not AutoPlay, click  
Start → Run → Browse. Browse to your CD-ROM.  
Double-click Install.exe. Click OK.*

2. Click Next to accept the terms in the license agreement.
3. Click Optional Utilities → Install Direct Network Printing Utility. Follow the on-screen instructions.

## Direct Network Printing Utility (LPR) Status Box



The Direct Network Printing Utility (LPR) Status Box displays the following information:

- Printers  
Names of added printers (You can add up to 30 printers)
- Status

Direct Network Printing Utility (LPR) status (empty, connecting, sending, paused, checking status, not connected)

- Finish  
Number of completed jobs.
- Queue  
Number of jobs waiting to be printed.

## **Additional Information**

For help, click on **HELP** in the program.



# Network Printer Status Utility

## Windows

- Available on TCP/IP network connection only.

The Network Printer Status utility is available if your administrator has installed it.

If the utility is installed, the printer driver **Properties** dialog box changes.

- a new **Status** tab is added.
- an **Option** button is added to the **Device Option** tab.

This utility allows you to view (but not change) the status of the following on the **Status** tab:

- paper trays installed and the media assigned to them.
- total size and percentage used of disk/memory.
- percentage of toner remaining.

### Important!

If you select **Automatic Status Update** in the **Status** tab, the driver automatically pings the printer for the latest status information every time you open the **Properties** dialog box.

This causes a significant delay until the Properties dialog box opens.

To avoid this, use the **Update Status** button in the **Status** tab to manually update the information on demand.

## General Information

This utility creates an additional tab (STATUS) in the PostScript and PCL drivers that allows the client to monitor the selected printer's status.

Load this program from the Menu Installer located on CD1.

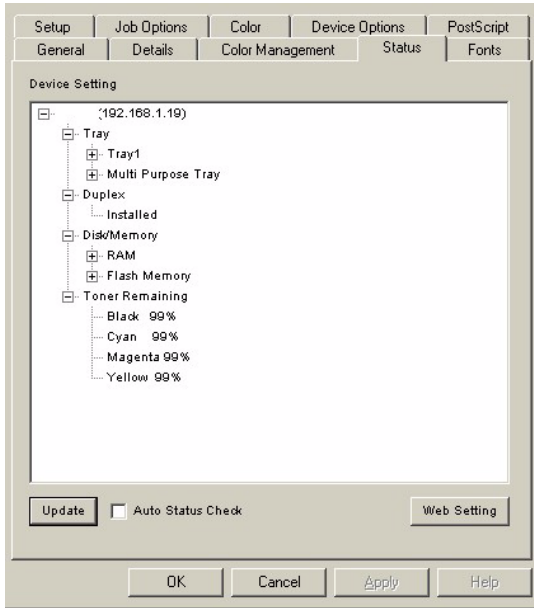
## Installation

1. Insert the Drivers, Color, and Network Utilities disk into the CD-ROM drive.  
  
If CD does not AutoPlay, click Start → Run → Browse. Browse to your CD-ROM. Double-click Install.exe. Click OK.
2. Click Network Software → Administration Tools → Network Printer Status. Follow the on-screen instructions.

## Using

1. Click Start → Settings → Printers. Right-click the Sharp Printer icon. Click Properties.
2. Click on the STATUS tab.
3. Click the UPDATE button to see device settings.

The following screen displays:



Click on an item to see this information:

Trays:	Paper Type, weight
Duplex:	Installed/not installed
Disk/Memory:	RAM size and % used; Flash Memory size and % used
Toner Remaining:	% toner remaining in all cartridges

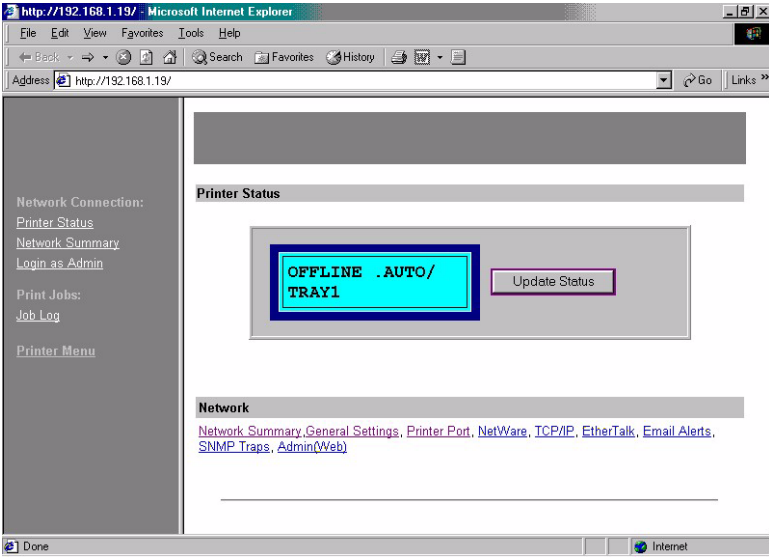
### NOTE

*If the Automatic Status Check box is checked, this utility "pings" the printer every time you open the Printer Properties dialog in the printer driver.*

*This severely slows opening Printer Properties.*

# Checking the Printer Status

Click the WEB SETTING button. The following screen displays:



Click on the items listed on the left to see:

- Network Summary
- Login for Administrators
- Job Login
- Printer Menu

To see real-time printer status, click the UPDATE STATUS button.

# Network Setup Utility ---

## General Information

This utility provides an easy way to configure your printer on a network.

## How to Install

Load this program from the Menu Installer located on the CD.

## Additional Information

See the online Network User's Guide for details on how to use this utility. The Network User's Guide is found on the CD shipped with your printer.