

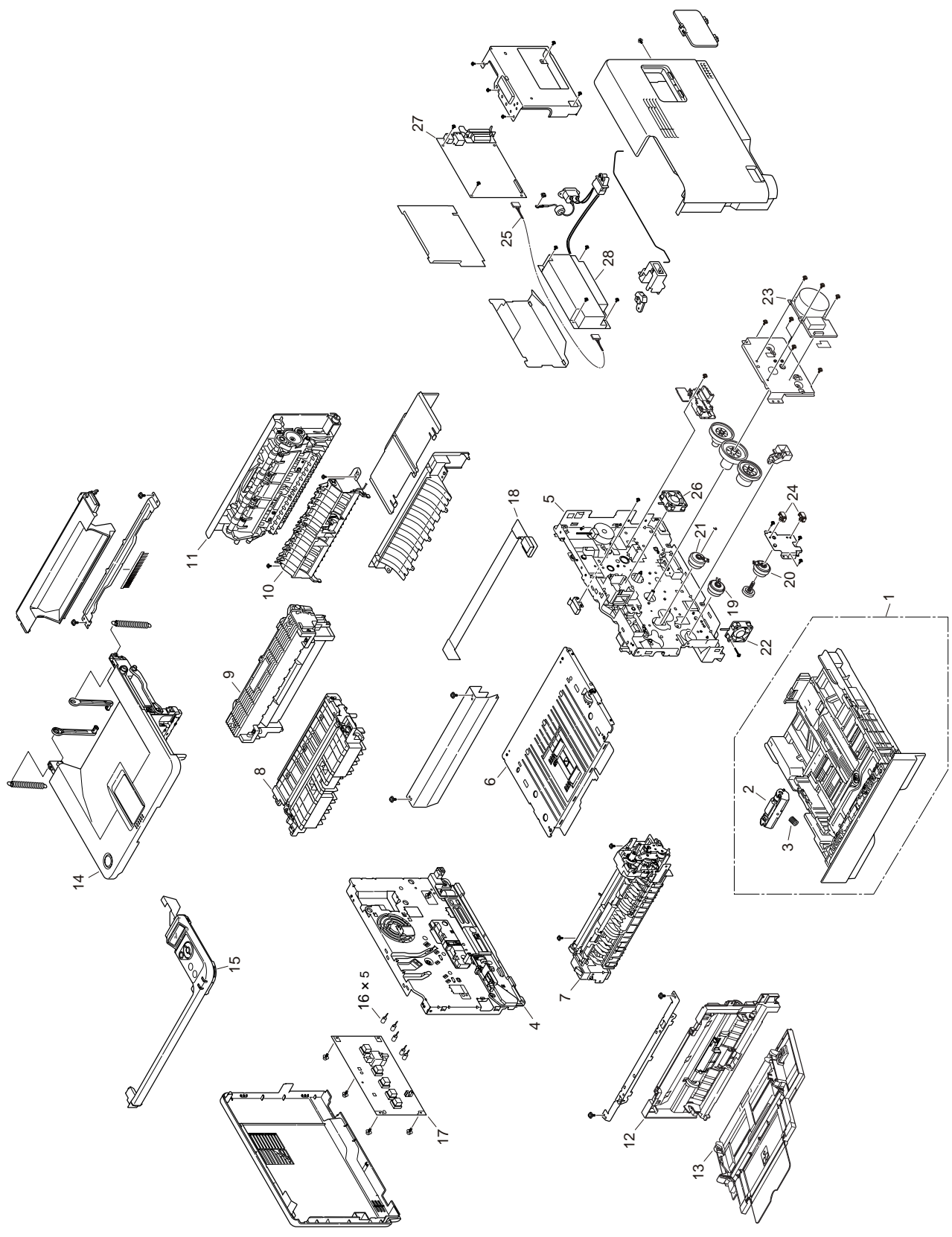
B431

Spare Parts

Illustration Manual

070710A

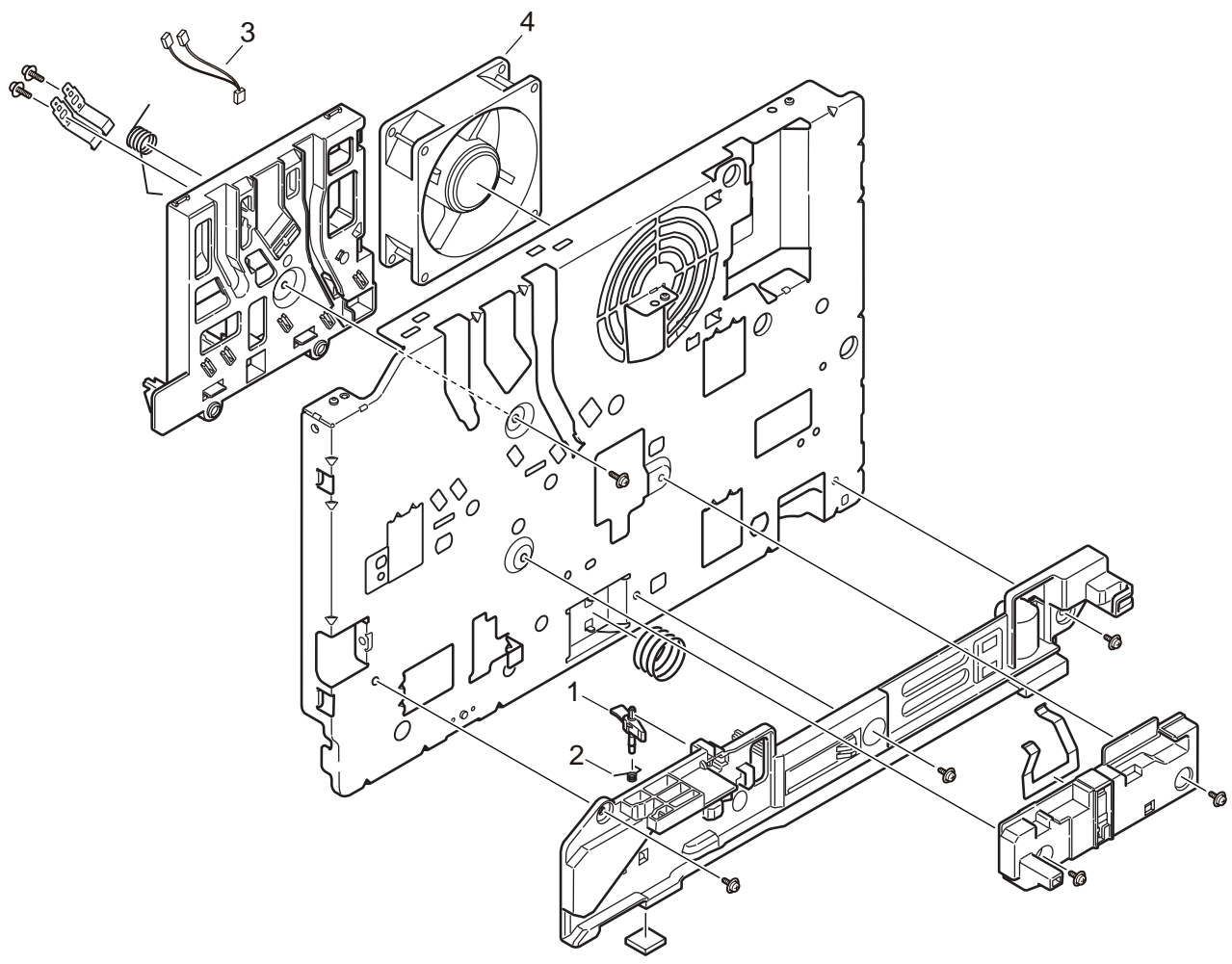
Printer Unit



No.	Part No.	Part Name	Qty /Unit	Recommended Qty/Year			Remarks
				per 500	per 1000	per 2000	
1-a	44559001	Cassette-Assy(250sht)	1	1	2	4	
1-b	44559002	Cassette-Assy(250sht)	1	1	2	4	Black-Version
2	44384701	Frame Assy.-Retard	1	1	2	4	
3	43963101	Spring-Retard	1	1	2	4	
4		Plate-Assy-Side-L	1	1	2	4	
5		Plate-Assy-Side-R	1	1	2	4	
6	44563701	Duplex-Assy	1	1	2	4	
7	44561502	Front-Assy.-PN297	1	1	2	4	B431
8	44559301	Frame-Assy-TR	1	1	2	4	
9-a		Fuser-Assy-PN297(100V)	1	5	10	20	100V
9-b	44565805	Fuser-Assy-PN297(120V)	1	5	10	20	110V-127V
9-c	44565806	Fuser-Assy-PN297(230V)	1	5	10	20	220V-240V
10	44563801	Guide-Assy-Eject-L	1	1	2	4	
11-a		Frame-Assy-Rear	1	1	2	4	
11-b		Frame-Assy-Rear	1	1	2	4	Black-Version
12-a	44359201	Frame Assy.-MPT	1	1	2	4	B431
12-a	44359203	Frame Assy.-MPT	1	1	2	4	B431
12-b	44359202	Frame Assy.-MPT	1	1	2	4	B431 Black-Version
13-a		Cover-Assy-MPT-PN297	1	1	2	4	B431
13-b		Cover-Assy-MPT-PN297	1	1	2	4	B431 Black-Version
14-a		Cover-Assy-Stacker-PN297	1	1	2	4	B431
14-b		Cover-Assy-Stacker-PN297	1	1	2	4	B431 Black-Version
15-a	44560201	Cover-Assy-OPE(PN297-ODA)	1	1	2	4	B431 ODA
15-b		Cover-Assy-OPE(PN297-EURO)	1	1	2	4	B431 OEL
15-c		Cover-Assy-OPE(PN297-Japan)	1	1	2	4	B431 Japan
15-d	44560204	Cover-Assy-OPE(PN297-ODA)	1	1	2	4	B431 Black-Version
15-e		Cover-Assy-OPE(PN297-China)	1	1	2	4	B431dn China

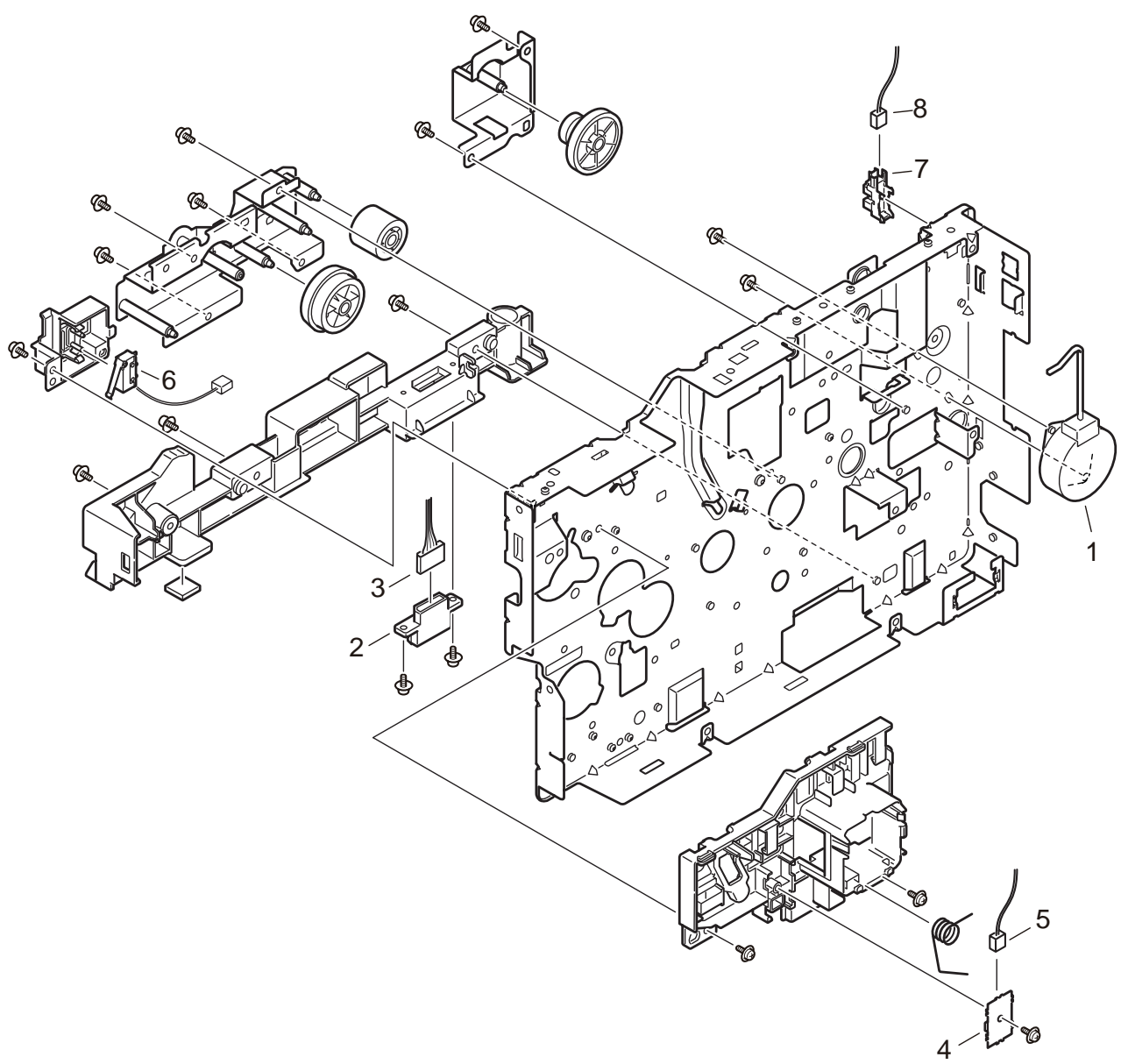
No.	Part No.	Part Name	Qty /Unit	Recommended Qty/Year			Remarks
				per 500	per 1000	per 2000	
15-f		Cover-Assy-OPE(PN297-Korea)	1	1	2	4	B431dn Korea
16	44509801	Spring-Contact	5	5	10	20	
17	44554001	OR-Board -97H	1	1	2	4	
18	44557601	Cable-FFC-28P(Add)	1	1	2	4	
19	44261402	Clutch	1	1	2	4	Hopping-Clutch
20	44261403	Clutch-3.5	1	1	2	4	B431 MPT-Clutch
21	44261405	Clutch-4.5	1	1	2	4	Regist-Clutch
22		Motor-Fan	1	1	2	4	
23	44558301	Motor-DC(Main)	1	1	2	4	
24		Mini-Saddle-RMS-1V0	13	5	10	20	
25		CONN Cord-JST11P-JST11P	1	1	2	4	
26		Motor-Fan	1	1	2	4	
27-a	44554601	OR-PN296/7 Control Board-97M(297dn)	1	1	2	4	B431dn
27-b		OR-PN296/7 Control Board-97M-2(297d)	1	1	2	4	B431d
27-c		OR-PN296/7 Control Board-97M-5(297JPN)	1	1	2	4	B431dn Japan
27-a	44655901	Maintenance board 97M for ODA	1	1	2	4	B431dn Maintenance-Borard (For ODA)
27-b		Maintenance board 97M for OEL	1	1	2	4	B431dn Maintenance-Borard (For OEL)
27-c		Maintenance board 97M for AOS	1	1	2	4	B431dn Maintenance-Borard (For AOS)
27-d		Maintenance board 97M for AOS	1	1	2	4	B431dn Maintenance-Borard (For Taiwan)
27-e	44655905	Maintenance board 97M-2 for ODA	1	1	2	4	B431d Maintenance-Borard (For ODA)
27-f		Maintenance board 97M-2 for OEL	1	1	2	4	B431d Maintenance-Borard (For OEL)
27-g		Maintenance board 97M-2 for AOS	1	1	2	4	B431d Maintenance-Borard (For AOS)
27-h		Maintenance board 97M-2 for AOS	1	1	2	4	B431d Maintenance-Borard (For Taiwan)
27-i		Maintenance board 97M-5 for JPN	1	1	2	4	B431dn Maintenance-Borard (For JPN)
27-j		Maintenance board 97M for OEL(ES Series)	1	1	2	4	B431dn Maintenance-Borard (For OEL(ES Series))
28-a	44342301	PWR unit-ACDC Switch	1	1	2	4	100V,110V-127V
28-b	44342302	PWR unit-ACDC Switch	1	1	2	4	220V-240V

Plate-Assy-Side-L



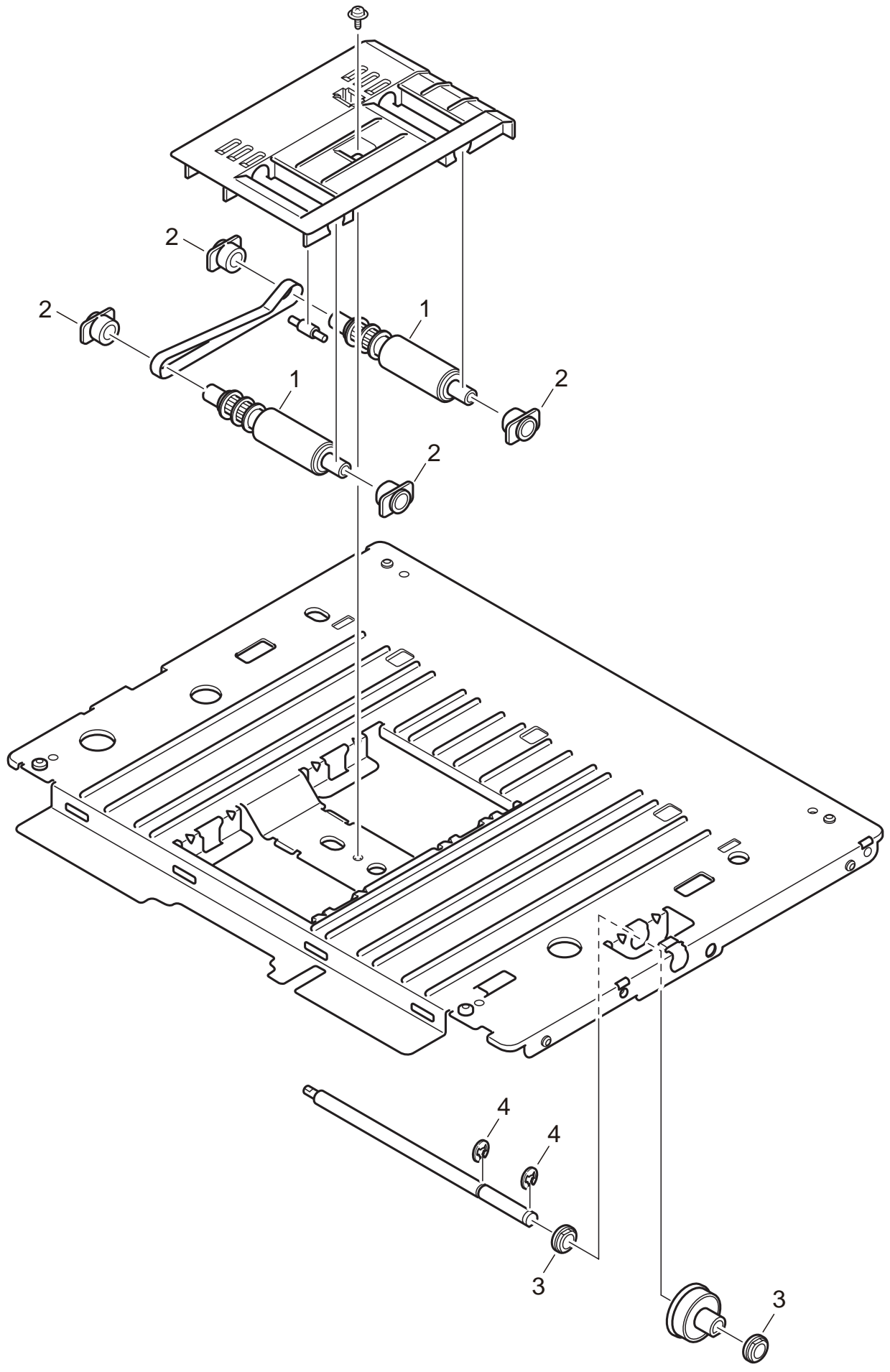
No.	Part No.	Part Name	Qty /Unit	Recommended Qty/Year			Remarks
				per 500	per 1000	per 2000	
1	44473601	Lever-Sensor-Cassette	1	1	2	4	
2	44361501	Spring-Sensor-016	1	1	2	4	
3		CONN Cord-JST3P-TAG	1	1	2	4	
4	44557001	Motor-Fan	1	1	2	4	
4	43289101	OR-Motor-FAN(80)	1	1	2	4	

Plate-Assy-Side-R



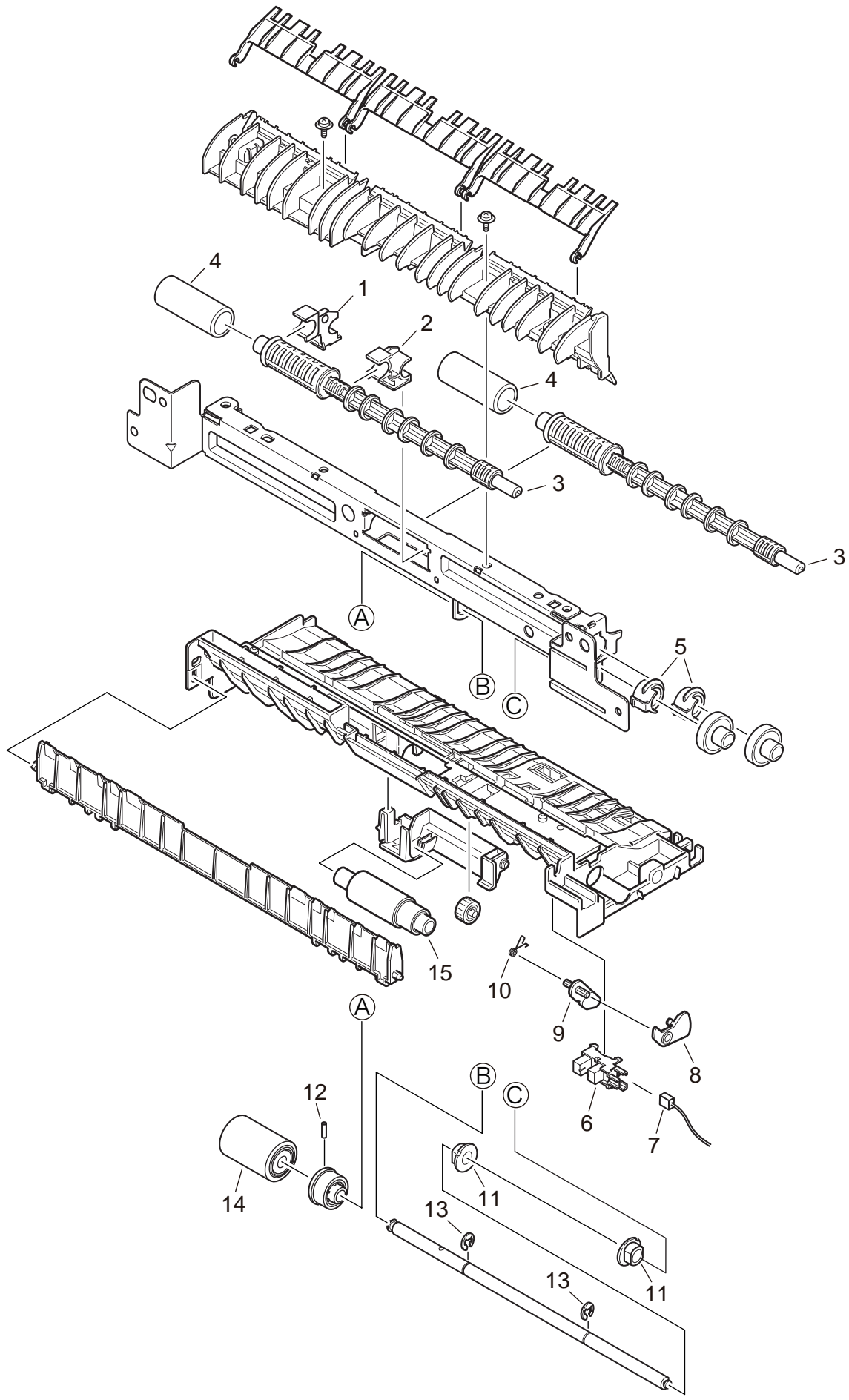
No.	Part No.	Part Name	Qty /Unit	Recommended Qty/Year			Remarks
				per 500	per 1000	per 2000	
1	44519301	Motor-Pulse	1	1	2	4	
2		9715B-08Z02-G4C	1	1	2	4	
3	44430402	CONN Cord-AMP8P-AMP8P	1	1	2	4	
4	44555101	OR-Board-97T	1	1	2	4	
5		CONN Cord-AMP4P-AMP3P	1	1	2	4	
6		CONN Cord-AMP3P-SW	1	1	2	4	
7		GP1A173LCS2F	1	1	2	4	
8		CONN Cord-AMP3P-JST3P	1	1	2	4	

Duplex-Assy

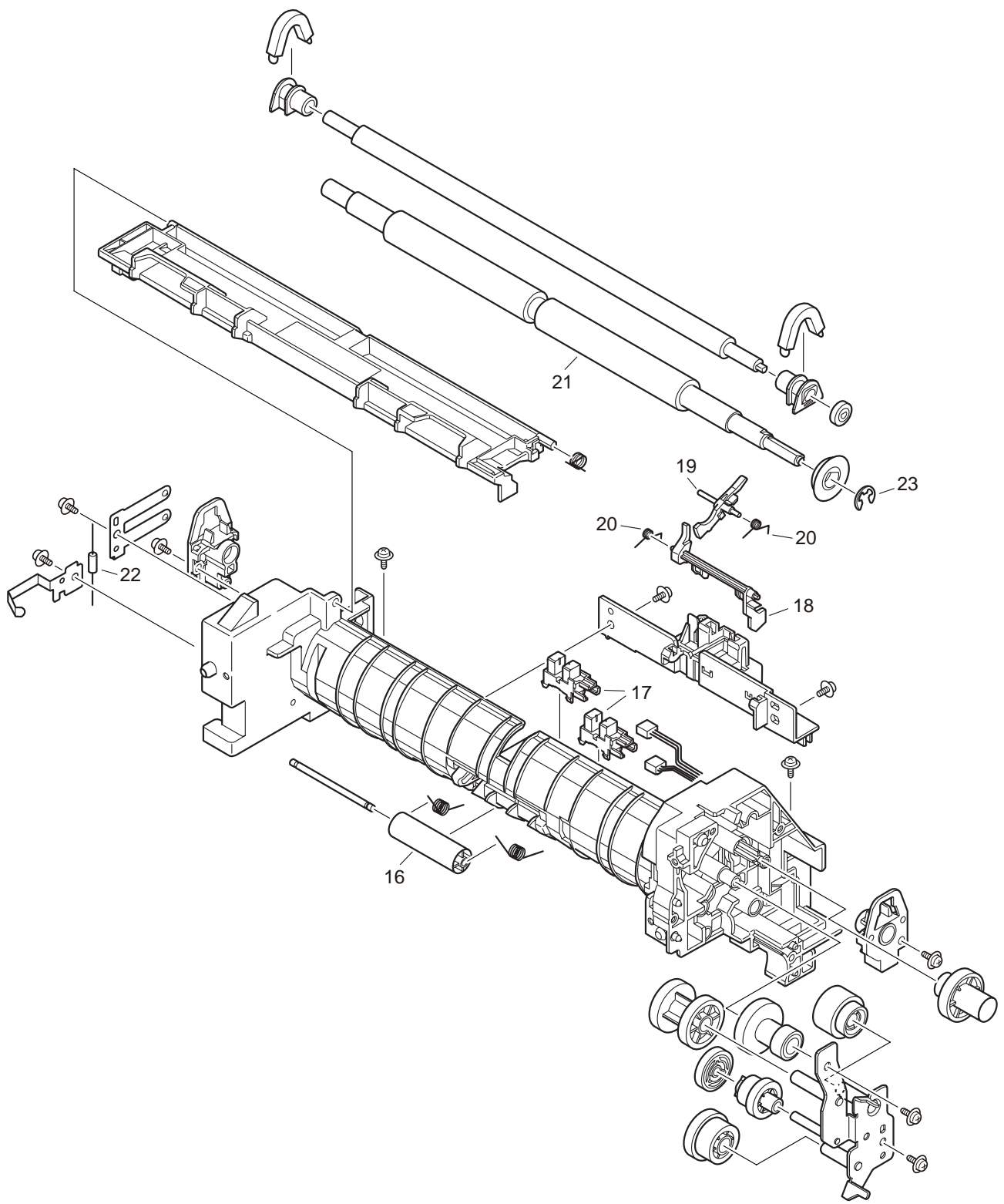


No.	Part No.	Part Name	Qty /Unit	Recommended Qty/Year			Remarks
				per 500	per 1000	per 2000	
1		Roller-Feed_Dup	2	2	4	8	
2		Bearing-Dup	4	4	8	16	
3	42060701	Bush	2	2	4	8	
4		Ring	2	2	4	8	

Front-Assy_1

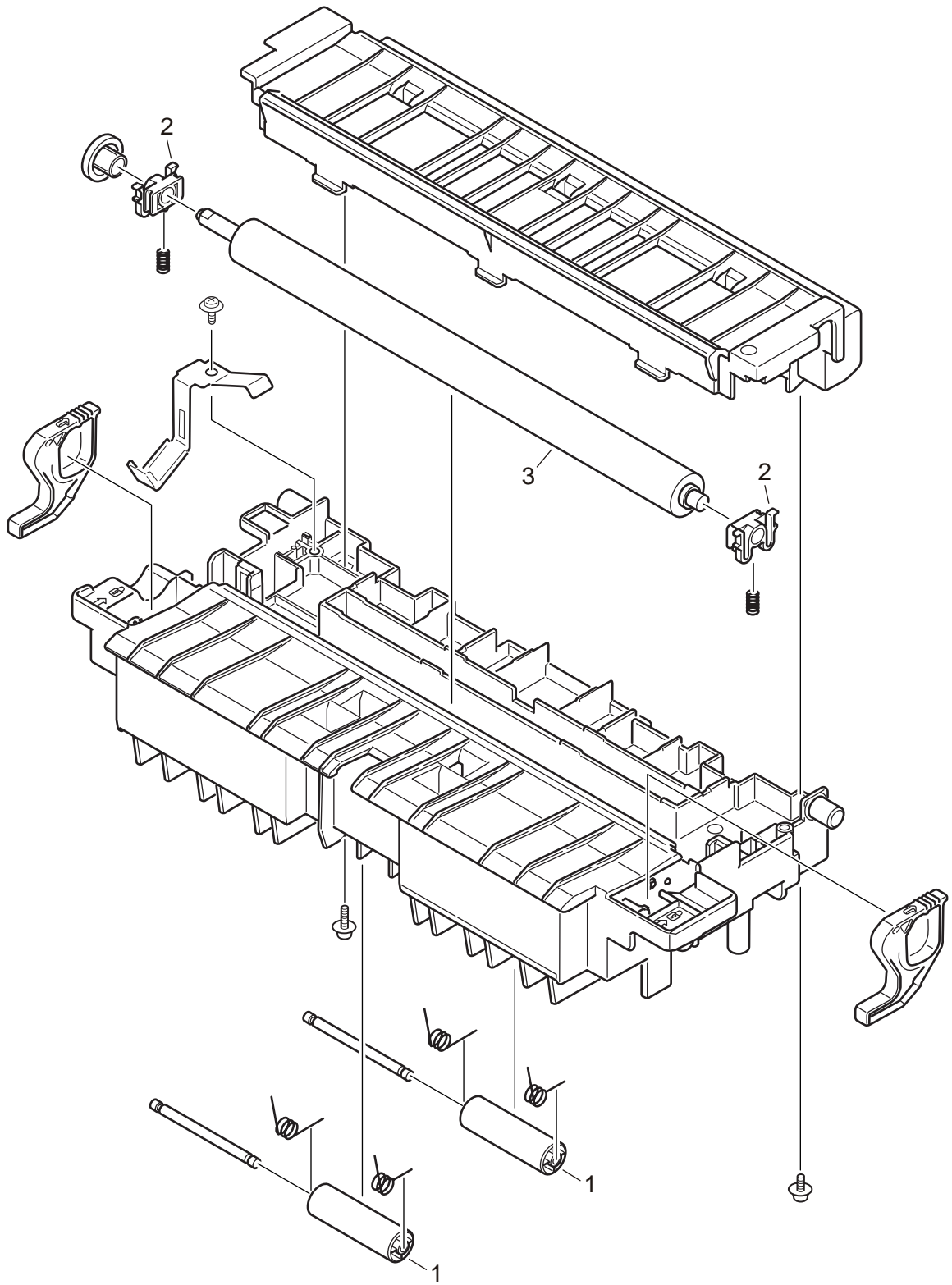


Front-Assy_2



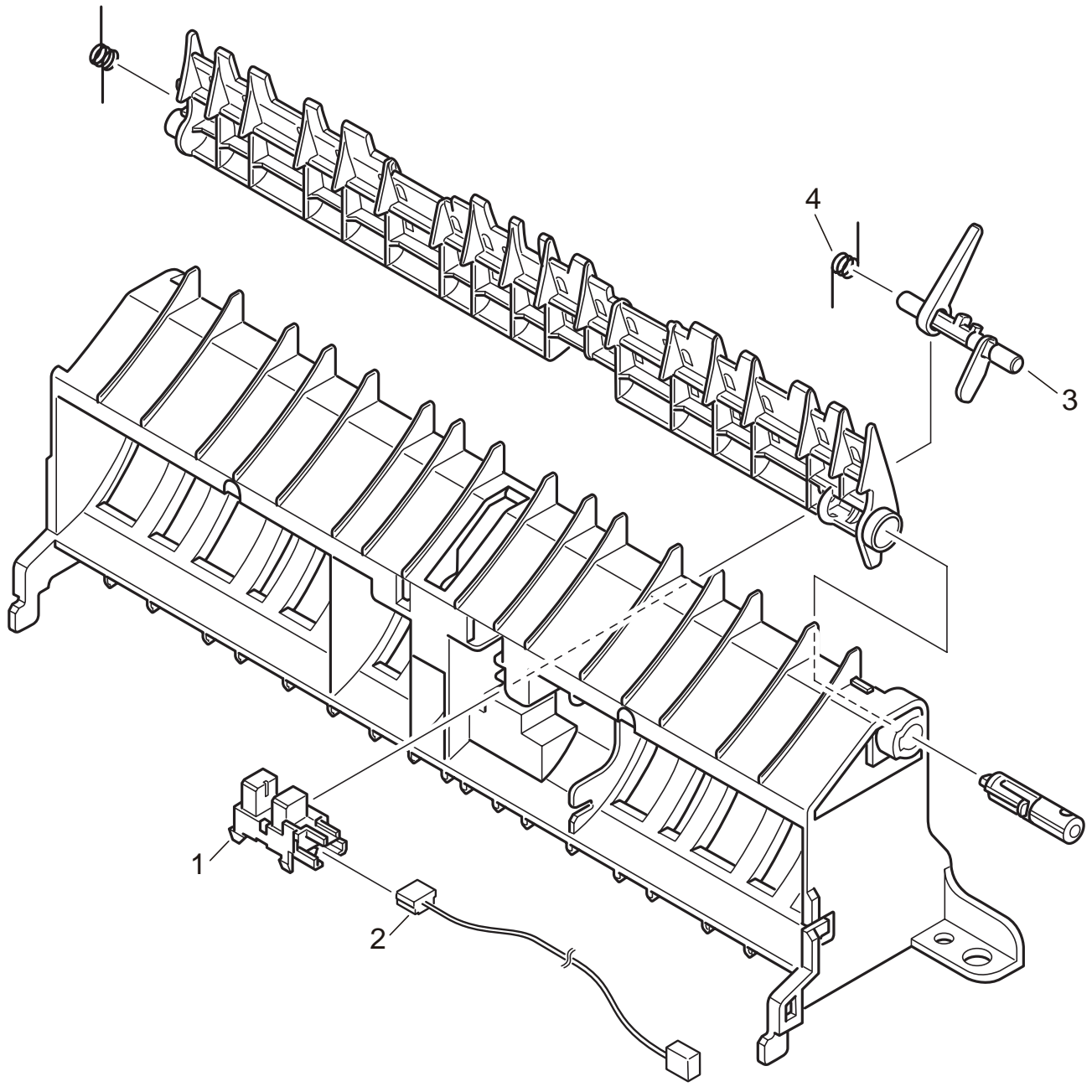
No.	Part No.	Part Name	Qty /Unit	Recommended Qty/Year			Remarks
				per 500	per 1000	per 2000	
1		Bearing-Feed-L	1	1	2	4	
2		Bearing-Feed-R	1	1	2	4	
3	44362101	Shaft-Roller-Feed	2	2	4	8	
4	44135601	Roller-Feed	2	2	4	8	
5		Bush-Feed	2	2	4	8	
6		GP1A173LCS2F	1	1	2	4	
7		CONN Cord-AMP3P-AMP3P	1	1	2	4	
8	44549801	Lever-End	1	1	2	4	
9	44549901	Lever-End-Sub	1	1	2	4	
10	44550001	Spring-Lever-End	1	1	2	4	
11	43526601	Bush	1	1	2	4	
12		KNOCK PIN	1	1	2	4	
13		Ring	2	2	4	8	
14	44483301	Roller-Assy-Hopping	1	1	2	4	
15	44483601	Roller-Assy-PickUp	1	1	2	4	
16	43355101	Roller-Pinch	1	1	2	4	
17		GP1A173LCS2F	2	1	2	4	
18	44361301	Lever-Sensor-IN	1	1	2	4	
19	44361401	Lever-Sensor-WR	1	1	2	4	
20	44361501	Spring-Sensor-016	2	1	2	4	
21	44361602	Roller-Regist	1	1	2	4	
22	42796901	OR-RES-High-Voltage-Z	1	1	2	4	
23		Ring	1	1	2	4	

Frame-Assy-TR



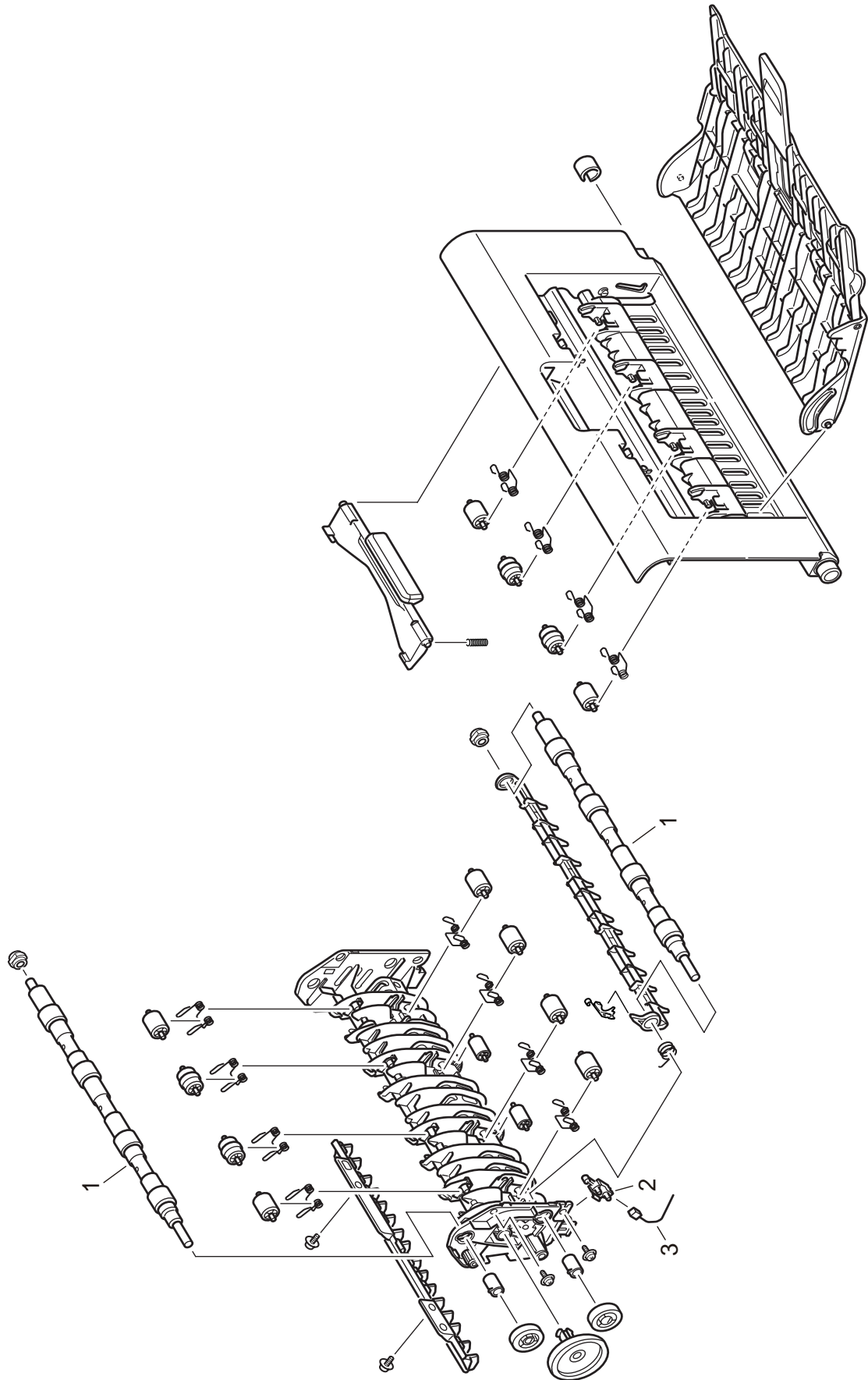
No.	Part No.	Part Name	Qty /Unit	Recommended Qty/Year			Remarks
				per 500	per 1000	per 2000	
1	43355101	Roller-Pinch	2	2	4	8	
2	43330101	Bearing-TR	2	2	4	8	
3	44432101	Roller-Transfer	1	1	2	4	

Guide-Eject-Lower-Assy



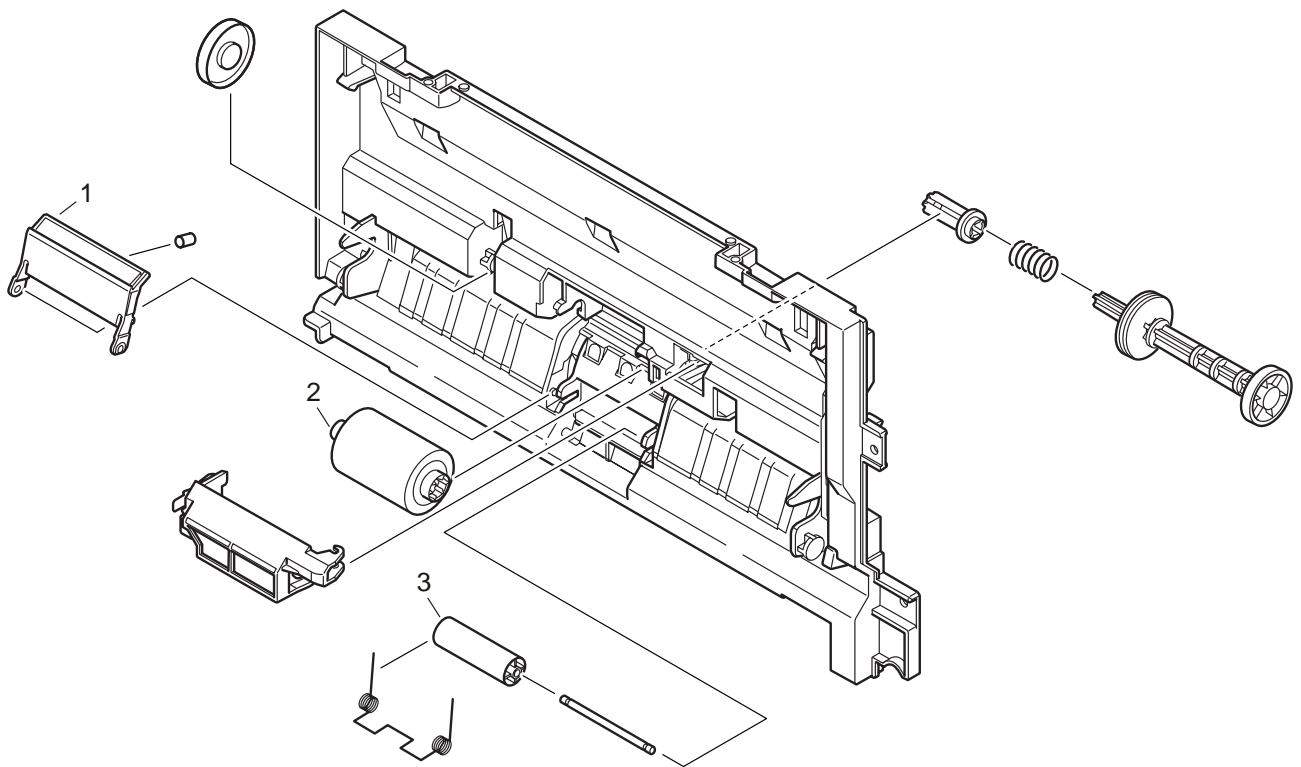
No.	Part No.	Part Name	Qty /Unit	Recommended Qty/Year			Remarks
				per 500	per 1000	per 2000	
1		GP1A173LCS2F	1	1	2	4	
2		CONN Cord-JST3P-AMP3P	1	1	2	4	
3	44365701	Lever-Sensor_Exit	1	1	2	4	
4	44365901	Spring-Sensor_Exit	1	1	2	4	

Frame-Assy-Rear



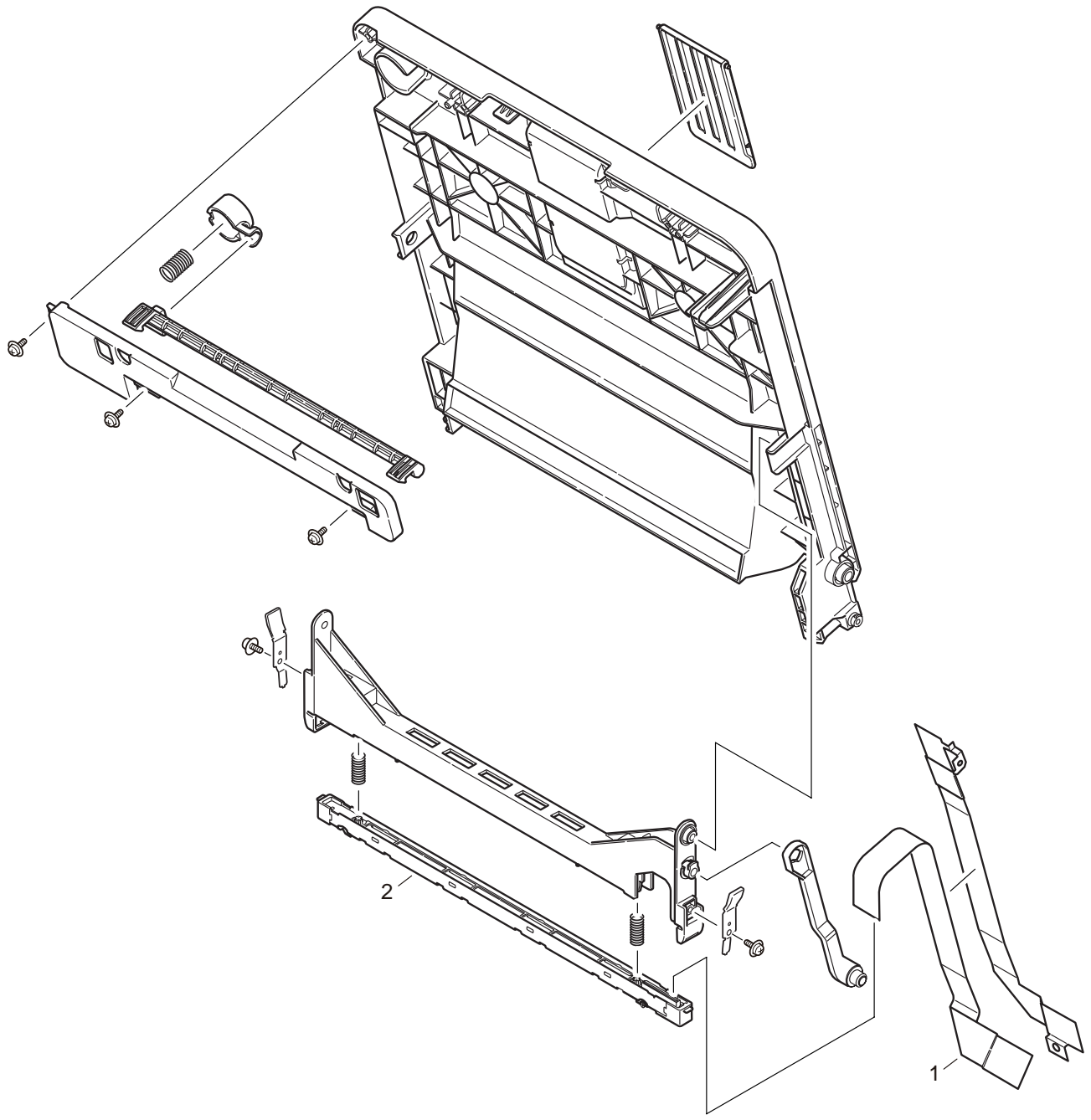
No.	Part No.	Part Name	Qty /Unit	Recommended Qty/Year			Remarks
				per 500	per 1000	per 2000	
1	44364301	Shaft-Assy.-Eject	2	2	4	8	
2		D2X-C	1	1	2	4	
3		CONN Cord-AMP2P-AMP2P	1	1	2	4	

MPT-Assy



No.	Part No.	Part Name	Qty /Unit	Recommended Qty/Year			Remarks
				per 500	per 1000	per 2000	
1	43922401	Frame Assy.-Separator	1	1	2	4	B431
2	43922301	Roller-Assy-MPT	1	1	2	4	B431
3	43355101	Roller-Pinch	1	1	2	4	

Cover-Assy-Stacker



No.	Part No.	Part Name	Qty /Unit	Recommended Qty/Year			Remarks
				per 500	per 1000	per 2000	
1		Cable-FFC-20P(Add)	1	1	2	4	
2	44557701	LED Head Unit-61TRA	1	1	2	4	1200dpi